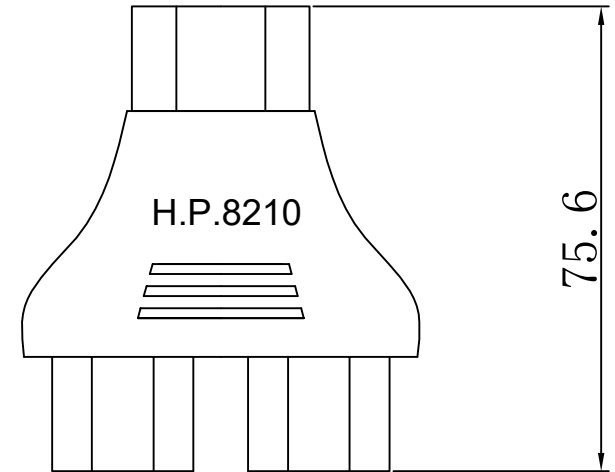
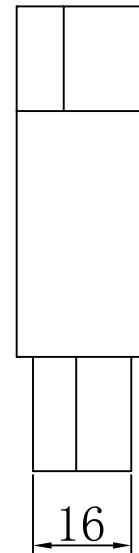


CABLE COLOR: BLACK

REVISION			
SYM	DESCRIPTION	DATE	APP

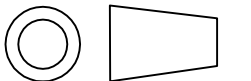


UNLESS SPECIFIED ALL DIMENSIONS ARE
IN MM TOLERANCE ON:
FRACTION: DECIMALS: ANGLE:

MODEL NO:
H. P. 8210

DWG
SIZE : A4

ISSUE NO:
A



FIRST ANGLE PROJECTING

CUSTOMER:

CUSTOMER PART NO:

SCALE :

DWG .

PART NO: CM-0045

FINAL PROTECTIVE FINISH: NIL

SHEET :

CHK .

QTY REQ'D PER UNIT:1

DRAWINGS NO:

E. N. NO:

APP .