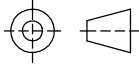


DRAWING NUMBER

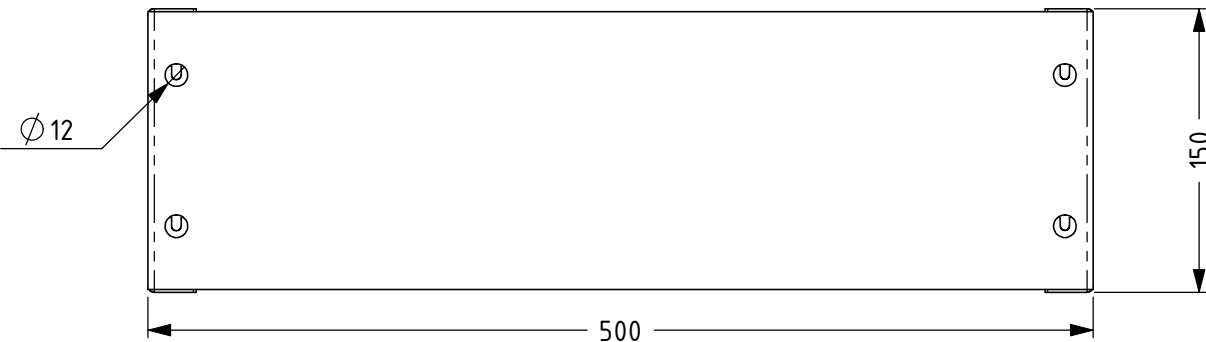
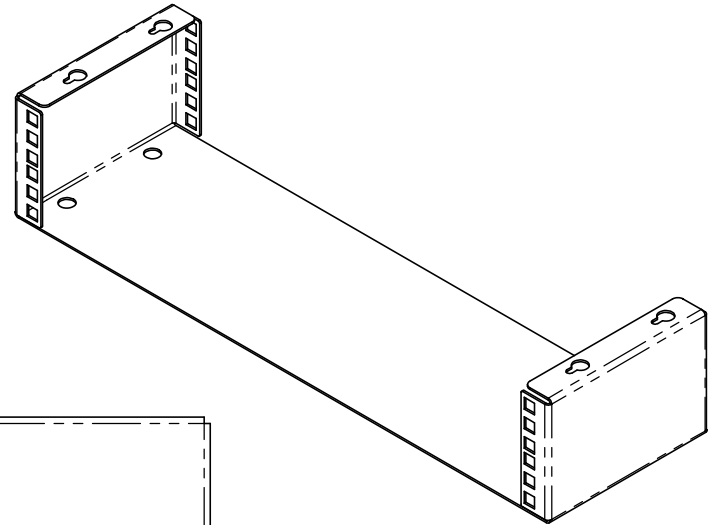
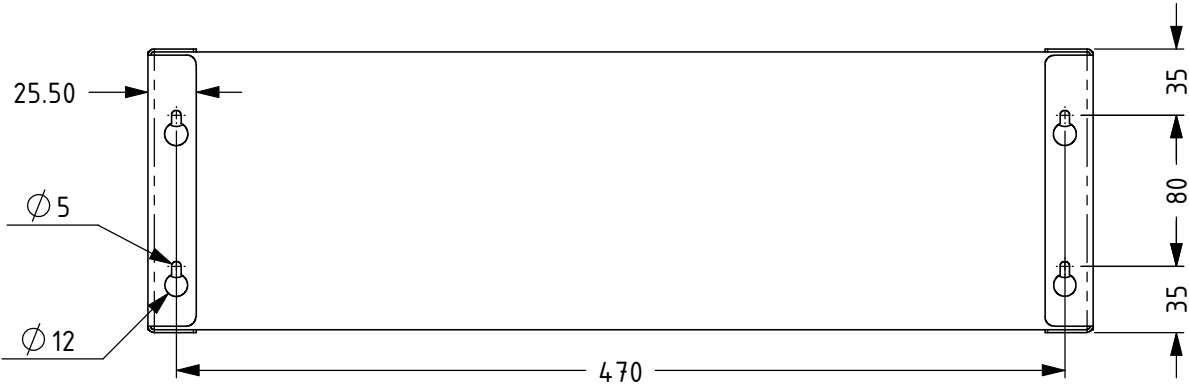
R2510

THIRD ANGLE PROJECTION



ISS.	DESCRIPTION	DRAWN	CHK'D	APP'D
		DATE	DATE	DATE
A	INITIAL ISSUE	CAJH		
		26.3.08		

USED ON



Part	Height (L)
R2510-1U	55.8
R2510-2U	100
R2510-3U	144.8
R2510-4U	188.9

MATERIAL  
1.5mm STEEL

FINISH  
BLACK

TOLERANCES  
UNLESS OTHERWISE STATED  
LINEAR      ANGULAR  
X.X      ±0.5      X      ±0.5°  
X.XX      ±0.1      X.X      ±0.1°

ALL DIMENSIONS IN mm  
SCALE  
1:4

CUSTOMER  
WORKS

TITLE  
RACK MOUNT WALL BRACKET

**pennELCOM**

THIS DOCUMENT CONTAINS INFORMATION PROPRIETARY TO PENN ELCOM LTD.  
AND SHALL NOT BE REPRODUCED NOR TRANSFERRED TO OTHER DOCUMENTS  
NOR DISCLOSED TO A THIRD PARTY OR USED FOR ANY PURPOSE OTHER THAN FOR  
WHICH IT IS FURNISHED WITHOUT THE WRITTEN PERMISSION OF PENN ELCOM LTD.

DRAWING NUMBER  
R2510

SHEET  
No. 1  
OF 4