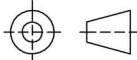


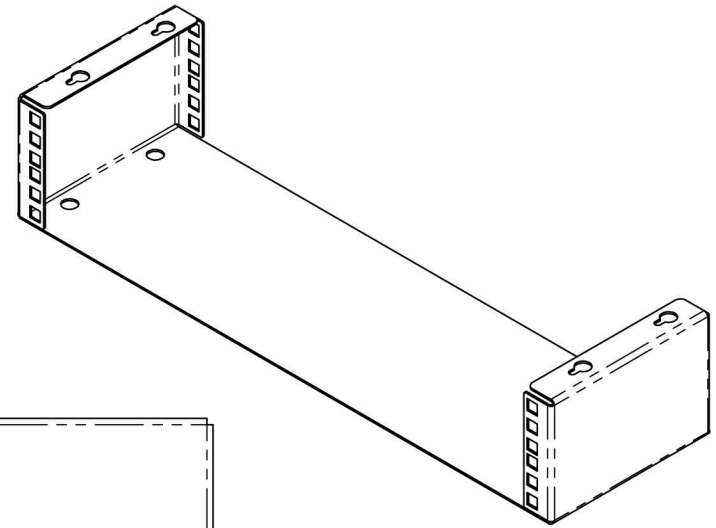
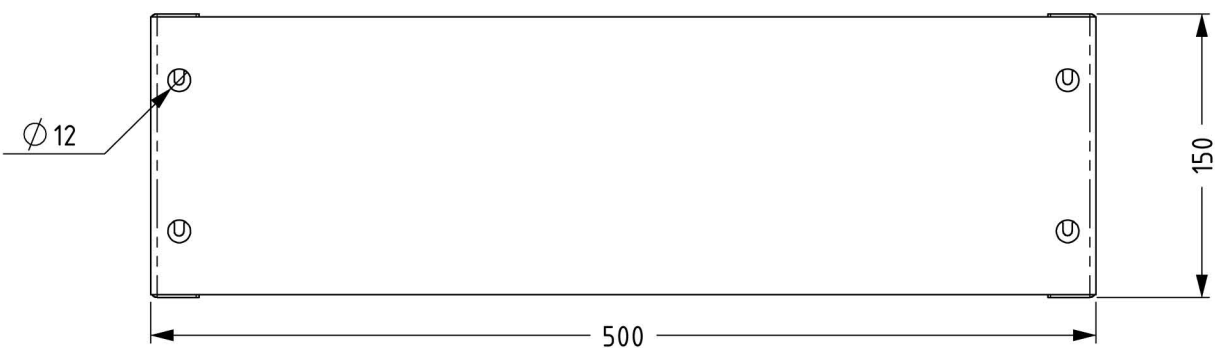
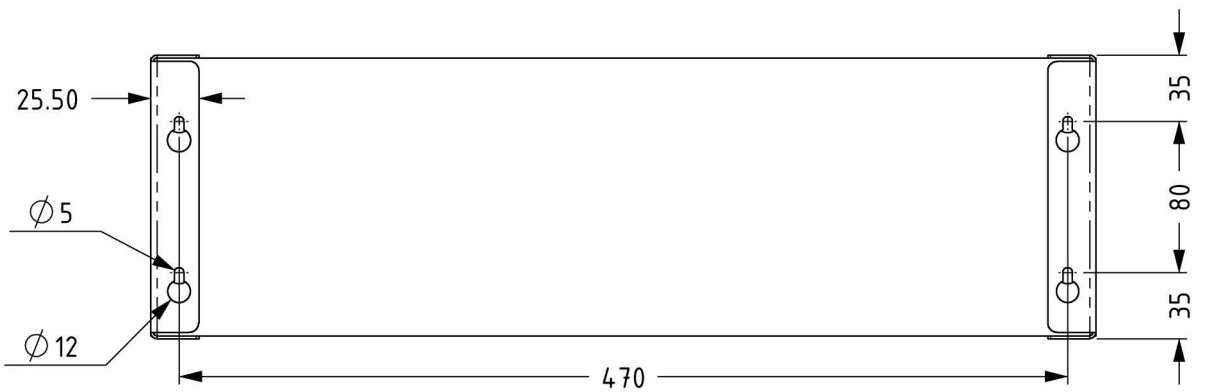
DRAWING NUMBER
R2510

THIRD ANGLE PROJECTION



ISS.	DESCRIPTION	DRAWN DATE	CHK'D DATE	APP'D DATE
A	INITIAL ISSUE	CAJH 26.3.08		

USED ON



Part	Height (L)
WB-2501	55.8
WB-2502	100
WB-2503	144.8
WB-2504	188.9

MATERIAL
1.5mm STEEL

FINISH
BLACK

TOLERANCES
UNLESS OTHERWISE STATED
LINEAR ANGULAR
X.X ±0.5 X ±0.5°
X.XX ±0.1 X.X ±0.1°

CUSTOMER
WORKS

TITLE
RACK MOUNT WALL BRACKET

ALL DIMENSIONS IN mm
SCALE
1:4



THIS DOCUMENT CONTAINS INFORMATION PROPRIETARY TO PENN ELCOM LTD. AND SHALL NOT BE REPRODUCED NOR TRANSFERRED TO OTHER DOCUMENTS NOR DISCLOSED TO A THIRD PARTY OR USED FOR ANY PURPOSE OTHER THAN FOR WHICH IT IS FURNISHED WITHOUT THE WRITTEN PERMISSION OF PENN ELCOM LTD.

DRAWING NUMBER R2510	SHEET No. 1 OF 1	A 4
-------------------------	------------------------	--------