

R129X - Rack Drawers with Pull Handle

*Rack Drawer with Slam Lock, Key
Lock and Integrated Pull Handle*



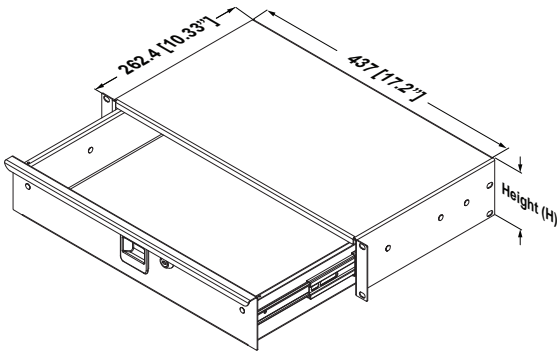
Penn Elcom R129X Rack Drawer Series are a perfect solution to storing non-rack mountable equipment, tools or consumables.

Each drawer is equipped with a slam latch and a key lock for added security which comes with 2 keys.

It has an ergonomic built in handle for ease of opening and closing.



R129X-10 Series - 260mm / 10" Deep Rack Drawers



R129X/10 Rack Drawers

External Depth:	262.4 / 10.33 ^(*)
<small>*Add 16.8mm / 0.66" to include front handle</small>	
Internal Depth:	240.4 / 9.46"
External Width:	437 / 17.2"
Internal Width:	410 / 16.14"



R1292K/10 - Rack Drawer

U Size:	2 Units
External Height:	85.10 / 3.35"
Internal Height:	73.50 / 2.89"
Load Capacity:	22Kg / 48Lbs
Weight:	4.39Kg / 9.68Lb



R1293K/10 - Rack Drawer

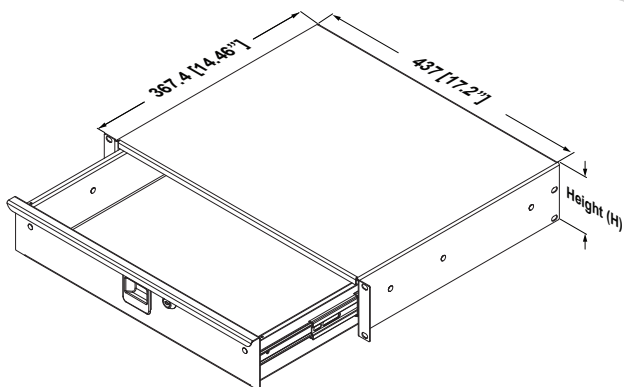
U Size:	3 Units
External Height:	131.50 / 5.17"
Internal Height:	118 / 4.64"
Load Capacity:	26Kg / 57Lbs
Weight:	5.16Kg / 11.38Lb



R1294K/10 - Rack Drawer

U Size:	4 Units
External Height:	175.90 / 6.88"
Internal Height:	157.50 / 6.20"
Load Capacity:	35Kg / 70Lbs
Weight:	5.79Kg / 12.76Lb

R129X Series - 365mm / 14" Deep Rack Drawers



R129X Rack Drawers

External Depth:	367.4 / 14.46"(*)
<i>*Add 16.8mm / 0.66" to include front handle</i>	
Internal Depth:	345.8 / 13.61"
External Width:	437 / 17.2"
Internal Width:	410 / 16.14"



R1292K - Rack Drawer

U Size:	2 Units
External Height:	88.9 / 3.50"
Internal Height:	72.8 / 2.87"
Load Capacity:	22Kg / 48Lb
Weight:	5.87Kg / 12.94Lb



R1293K - Rack Drawer

U Size:	3 Units
External Height:	133.4 / 5.25"
Internal Height:	117 / 4.61"
Load Capacity:	26Kg / 57Lbs
Weight:	6.94Kg / 15.3Lb



R1294K - Rack Drawer

U Size:	4 Units
External Height:	177.8 / 7.00"
Internal Height:	161.4 / 6.35"
Load Capacity:	35Kg / 70Lbs
Weight:	7.89Kg / 17.39Lb



R1295K - Rack Drawer

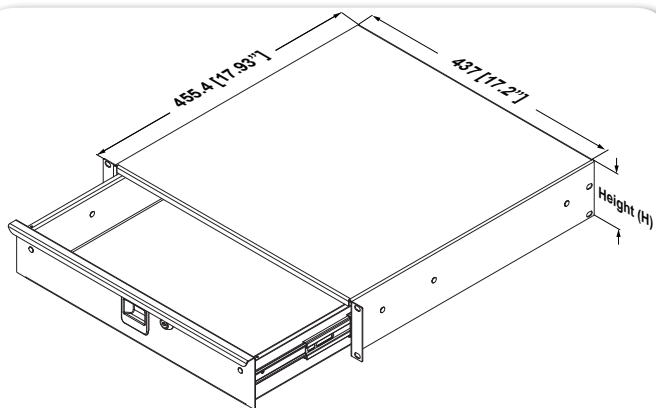
U Size:	5 Units
External Height:	222.3 / 8.75"
Internal Height:	205.9 / 8.11"
Load Capacity:	35Kg / 70Lbs
Weight:	9.12Kg / 20.11Lb



R1296K - Rack Drawer

U Size:	6 Units
External Height:	266.7 / 10.5"
Internal Height:	250.3 / 9.85"
Load Capacity:	38Kg / 80Lbs
Weight:	10.57Kg / 23.3Lb

R129X-18 Series - 455mm / 18" Deep Rack Drawers



R129X/18 Rack Drawers

External Depth:	455.4 / 17.93"(*)
*Add 16.8mm / 0.66" to include front handle	
Internal Depth:	433.4 / 17.06"
External Width:	437 / 17.2"
Internal Width:	410 / 16.14"



R1292K/18 - Rack Drawer

U Size:	2 Units
External Height:	85.10 / 3.35"
Internal Height:	73.50 / 2.89"
Load Capacity:	22Kg / 48Lbs
Weight:	7.39Kg / 16.29Lb



R1293K/18 - Rack Drawer

U Size:	3 Units
External Height:	131.50 / 5.17"
Internal Height:	118 / 4.64"
Load Capacity:	26Kg / 57Lbs
Weight:	8.45Kg / 18.63Lb



R1294K/18 - Rack Drawer

U Size:	4 Units
External Height:	175.90 / 6.88"
Internal Height:	157.50 / 6.20"
Load Capacity:	35Kg / 70Lbs
Weight:	9.41Kg / 20.75Lb



R1295K/18 - Rack Drawer

U Size:	5 Units
External Height:	220.40 / 8.67"
Internal Height:	206.90 / 8.14"
Load Capacity:	38Kg / 80Lbs
Weight:	10.64Kg / 23.46Lb



R1296K/18 - Rack Drawer

U Size:	6 Units
External Height:	264.80 / 10.42"
Internal Height:	251.30 / 9.89"
Load Capacity:	38Kg / 80Lbs
Weight:	12.09Kg / 26.65Lb