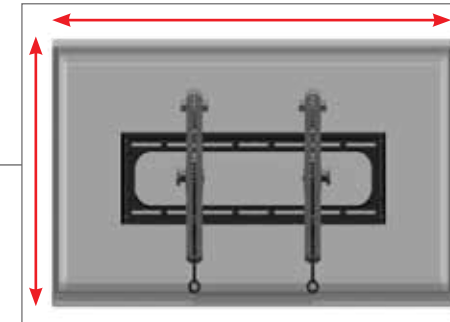
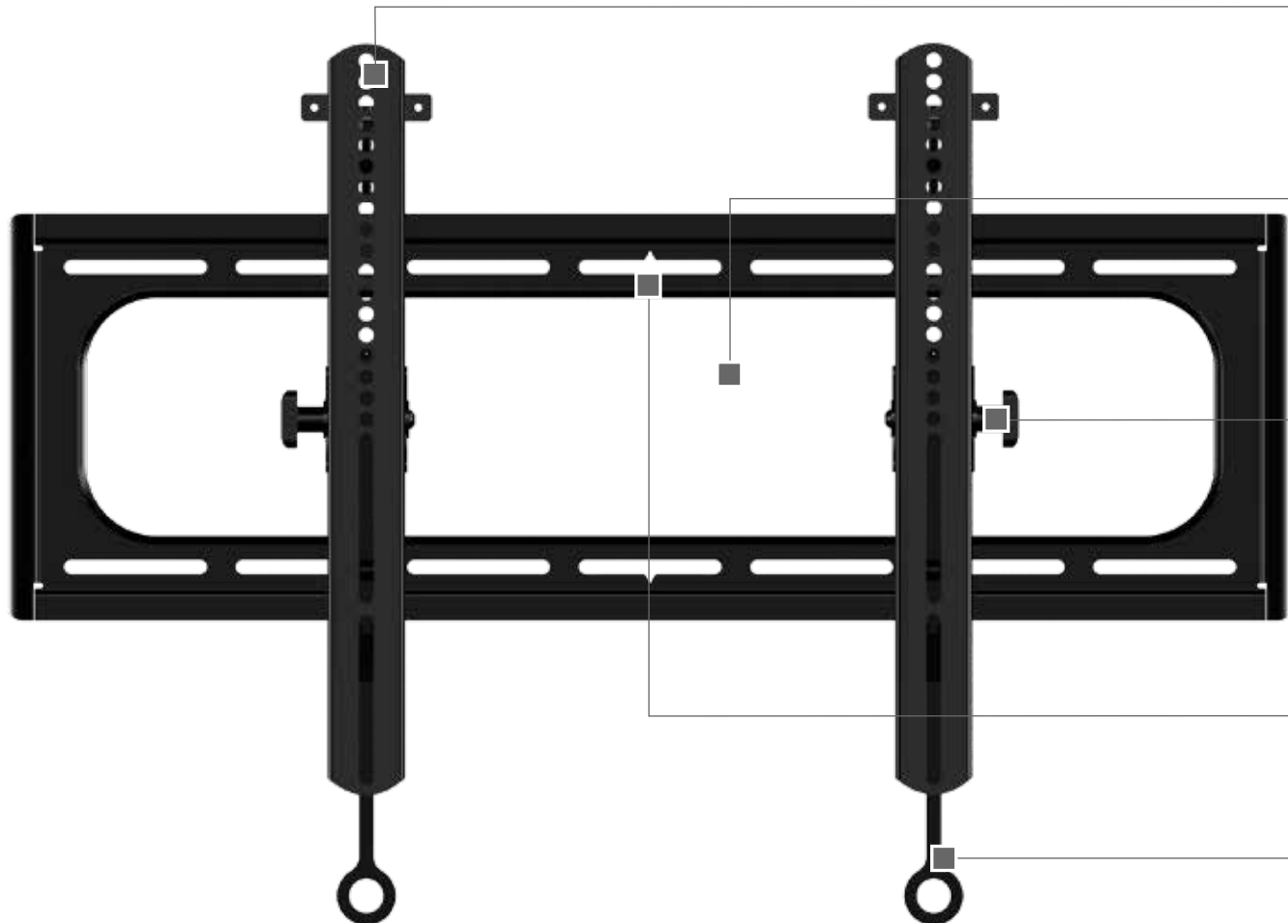


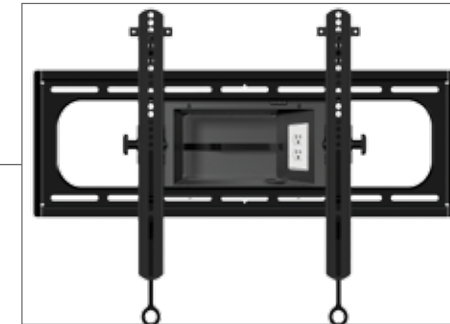
SANUS

BLACK SERIES

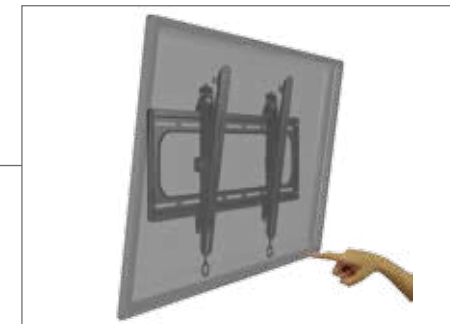
CILT1 – LARGE TILTING MOUNT



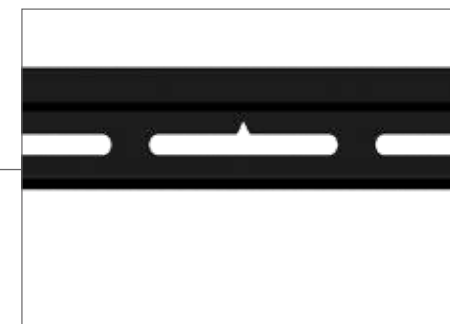
New ProSet Plus™ post install height and level adjustments allow for up to one full inch of height and level adjustment



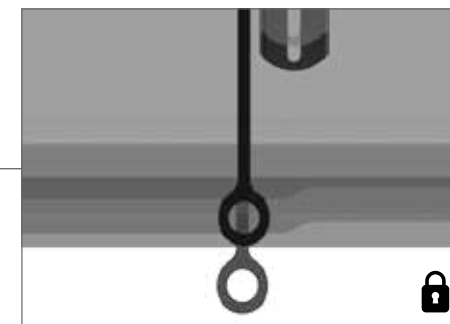
Open wall plate design allows mounting directly over most wall boxes and electrical outlets



Virtual Axis™ Fingertip tilt allows for easy TV adjustments and quick access to cables



Save time by using the leveling notch to hang the wall plate on a temporary nail while leveling the wall plate and marking holes to drill



High quality Quick-Release tabs instantly unlock the TV from the wall plate and adjust to line up with the bottom of the TV. Optional padlock prevents Quick-Release tabs from releasing

MOUNTING PATTERNS - VESA

Min: 200 x 200 | Max: 690 x 415

WEIGHT CAPACITY

180 lbs

DEPTH

2.2"

SUGGESTED TV SIZE RANGE

37"-95"

TILTS

+7/-10

PRODUCT DIMENSIONS

(w x h x d)

30" x 17.53" x 2.18"

PACKAGE DIMENSIONS

(w x d x h)

32.48" x 10.67" x 2.95"

PACKAGE WEIGHT

12.32 lbs

MASTER PACK QUANTITY

3

MASTER PACKAGE DIMENSIONS (w x d x h)

33.25" x 11.625" x 10.25"

MASTER PACKAGE WEIGHT

40.1 lbs

COMPATIBLE WITH UP TO 2 CIASP1

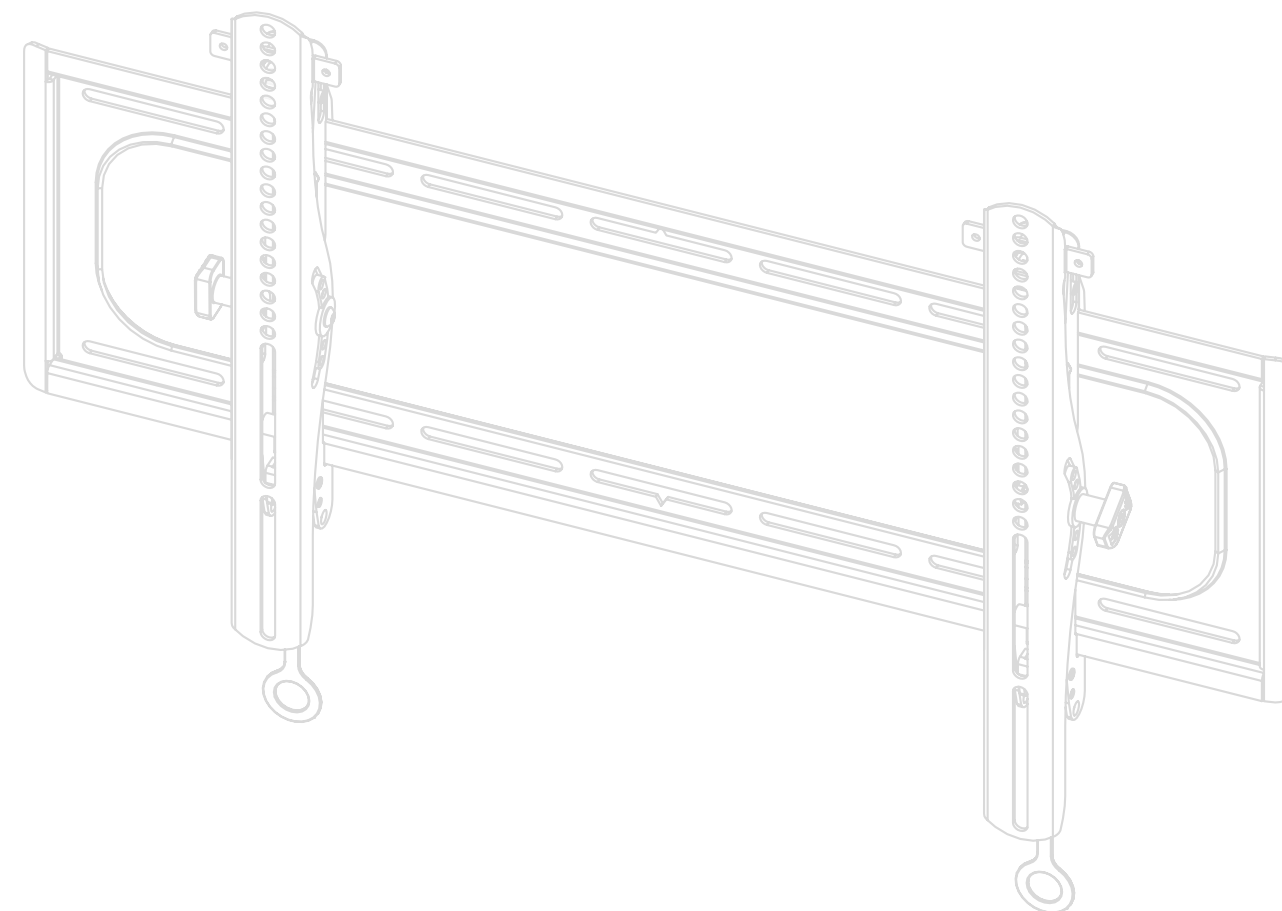
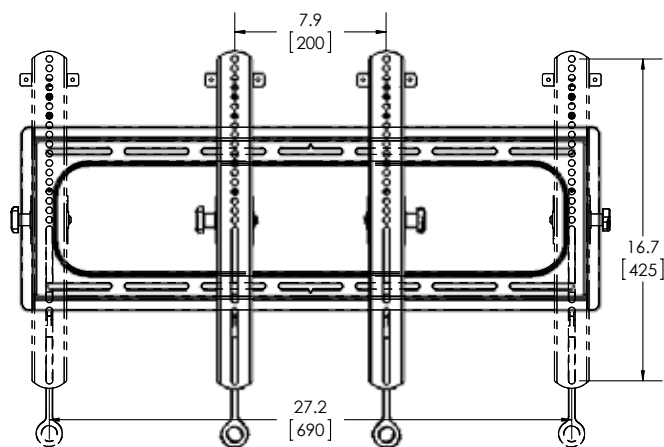
*Each CIASP1 holds 1 device

SANUS

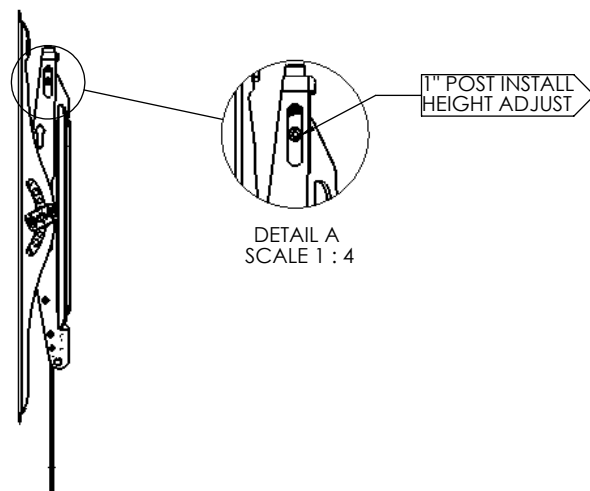
BLACK SERIES

CILT1 – LARGE TILTING MOUNT

TV INTERFACE - VESA



SIDE VIEW - HEIGHT ADJUSTMENT



MOUNTING PATTERNS - VESA

Min: 200 x 200 | Max: 690 x 415

WEIGHT CAPACITY

180 lbs

SUGGESTED TV SIZE RANGE

37"-95"

PRODUCT DIMENSIONS

(w x h x d)

30" x 17.53" x 2.18"

MASTER PACK QUANTITY

3

MASTER PACKAGE

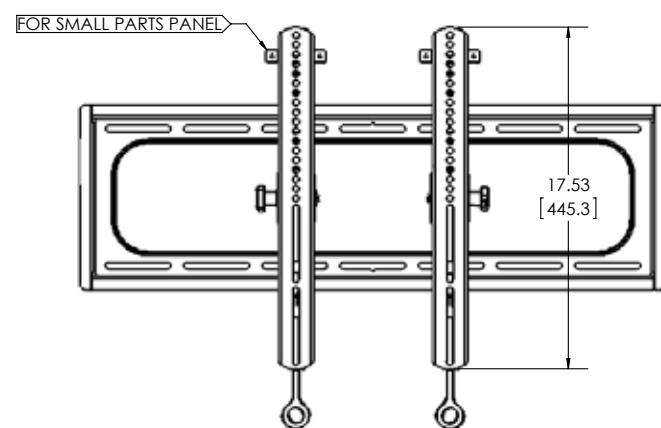
DIMENSIONS (w x d x h)

33.25" x 11.625" x 10.25"

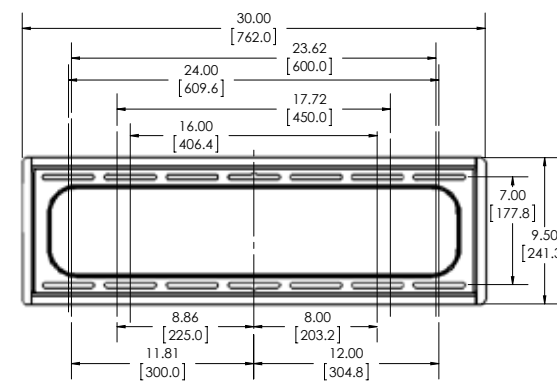
MASTER PACKAGE WEIGHT

40.1 lbs

FRONT VIEW



WALL PLATE



WALL PLATE OPENING

