

TDC4 QUAD (dSCR)/QUATTRO Optical Converter



Part No.307776



The TDC4 is an Optical Fibre Converter, from the TRIAX Optical Fibre range, which can be used in either QUAD /dSCR or Quattro + TERR mode, with AGC on all the outputs.

This unique dSCR/legacy Quad Optical Converter with high output power has been developed to help installers overcome low signal quality in satellite fibre installations. This easy to use product can be used in Quad or Quattro mode.

In Quad mode, the outputs are converted to 4 x combined dSCR/legacy + TERR.

In Quattro mode, the product serves as a satellite trunk output converted to VL, HL, VH, HH, TERR.

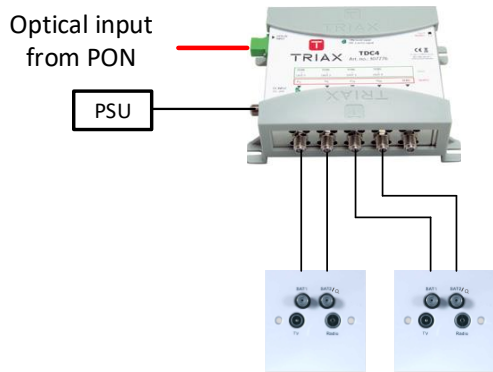
The TDC4 is designed to work with an optical input level of between -14 to +4 dBm, with 3 x optical wavelengths: 1310nm (V) + 1330nm (H) + 1550nm (T) and 5 outputs
 Quad mode: 4 x dSCR/Legacy + TERR.

		TDC4 Quattro mode	TDC4 Quad mode
Optical inputs	-	1	
RF outputs	-	VL, HL, VH, HH, T	4 x dSCR/legacy + TERR.
Optical wavelengths	nm	1310 - 1330 - 1550	
Frequency range	MHz	40 - 790 / 950 - 2150	
Optical input level	dBm	-14 to +4	
Signal indicator	-	Green LED per wavelength	
dCSS/dSCR UBs	-	-	4 x 16
Output level dSCR/Legacy (AGC)	dBμV	80	
Output level TERR (AGC)	dBμV	75	65
Return loss	dB	10	
Input connector type	-	SC / APC	
Output connector type	-	75 ohm F type (female)	
Band and polarity selection	-	DiSEqC 1.0 (unidirectional) DiSEqC 2.0 (bidirectional) Standard EN50494/EN50607 SKY UK protocol Universal LNB Voltage & Tone	
Power consumption	W	8	
Power supply via DC IN	VDC	20	
Power supply via output (STB)	VDC	12 - 20	
Power indicator	-	Green LED	
Operating temperature range	°C	-20 to +55	
Dimensions	mm	166 x 136 x 25	
Weight	kg	0.500	



TRIAX

Typical installation example (QUAD mode)



Typical installation example (Quattro mode)

