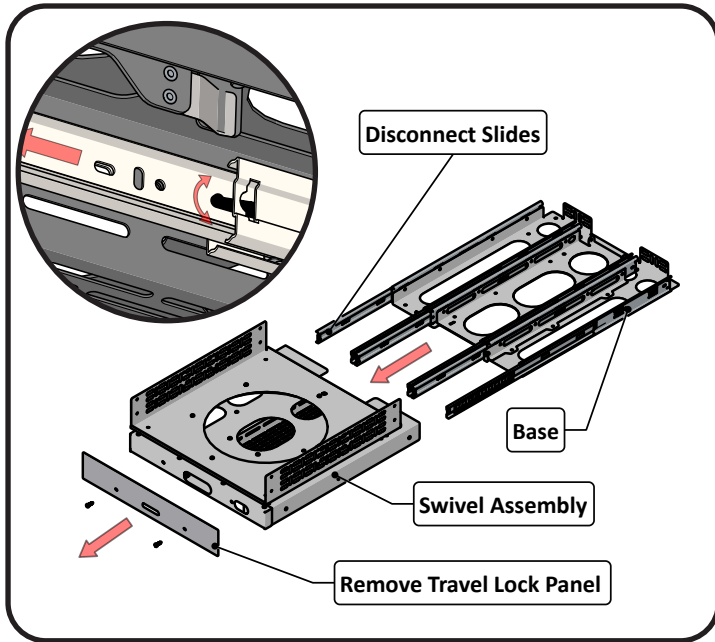
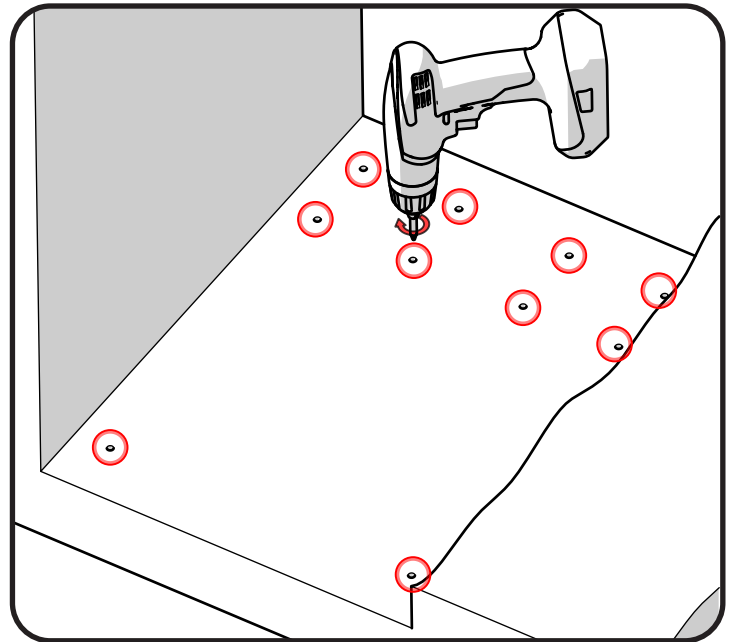


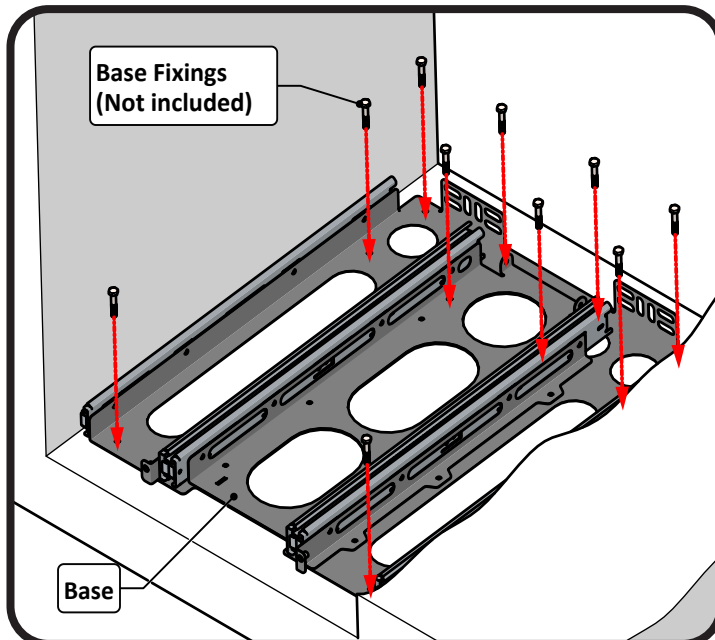
R8010 INSTALLATION INSTRUCTIONS



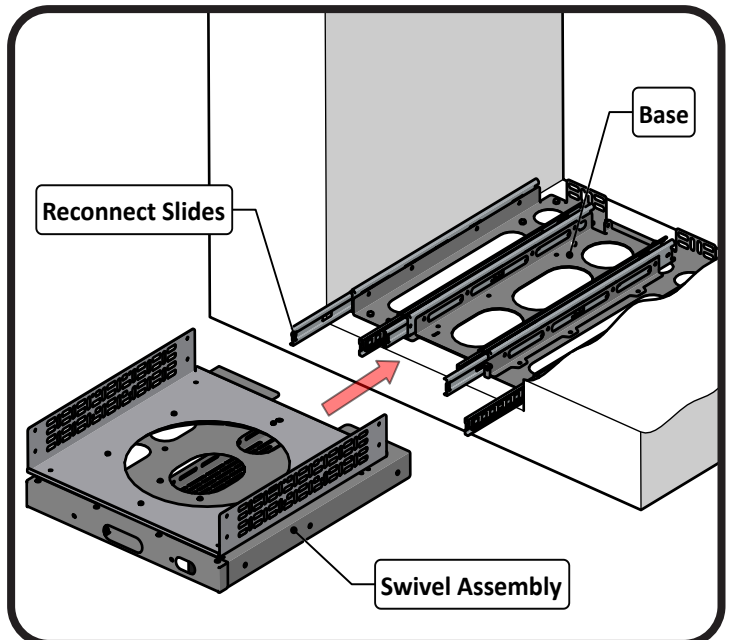
1. Remove Travel Lock Panel & Disconnect Slides



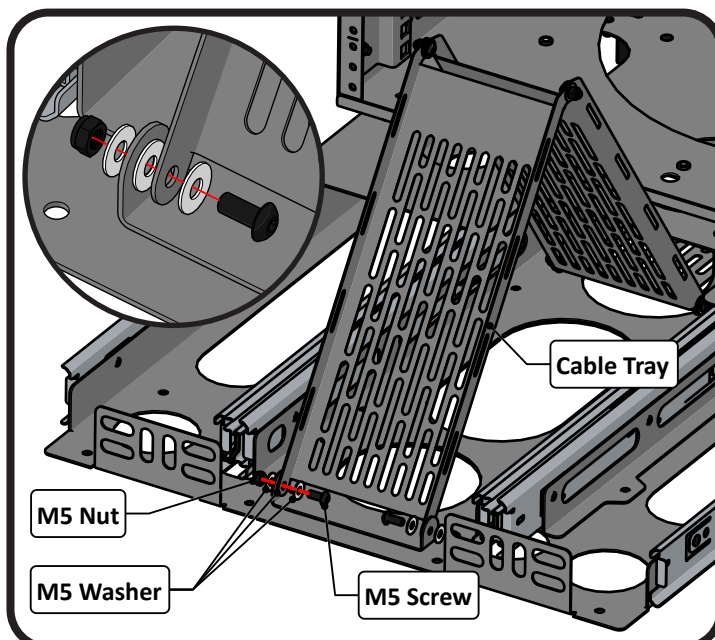
2. Drill Fixing Holes (See Drawing on Reverse)



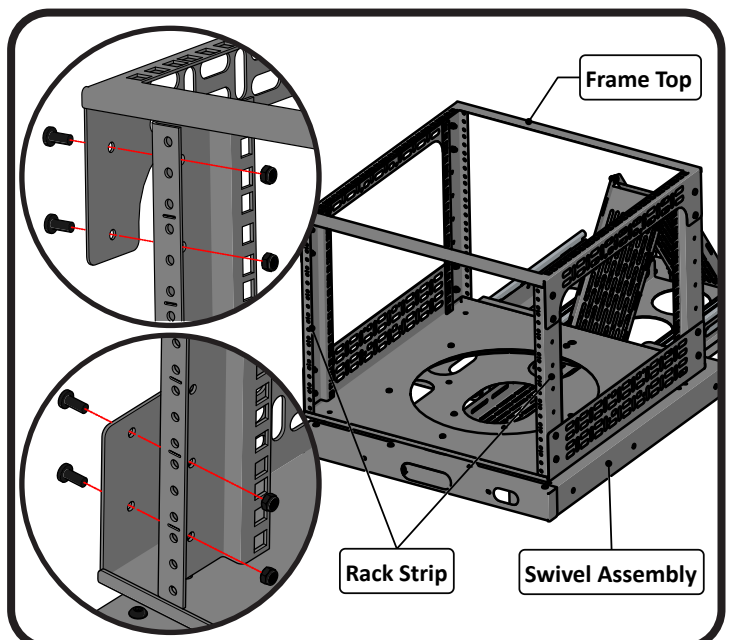
3. Securely Fasten Base to Floor of Cupboard



4. Install Swivel Assembly & Reconnect Slides



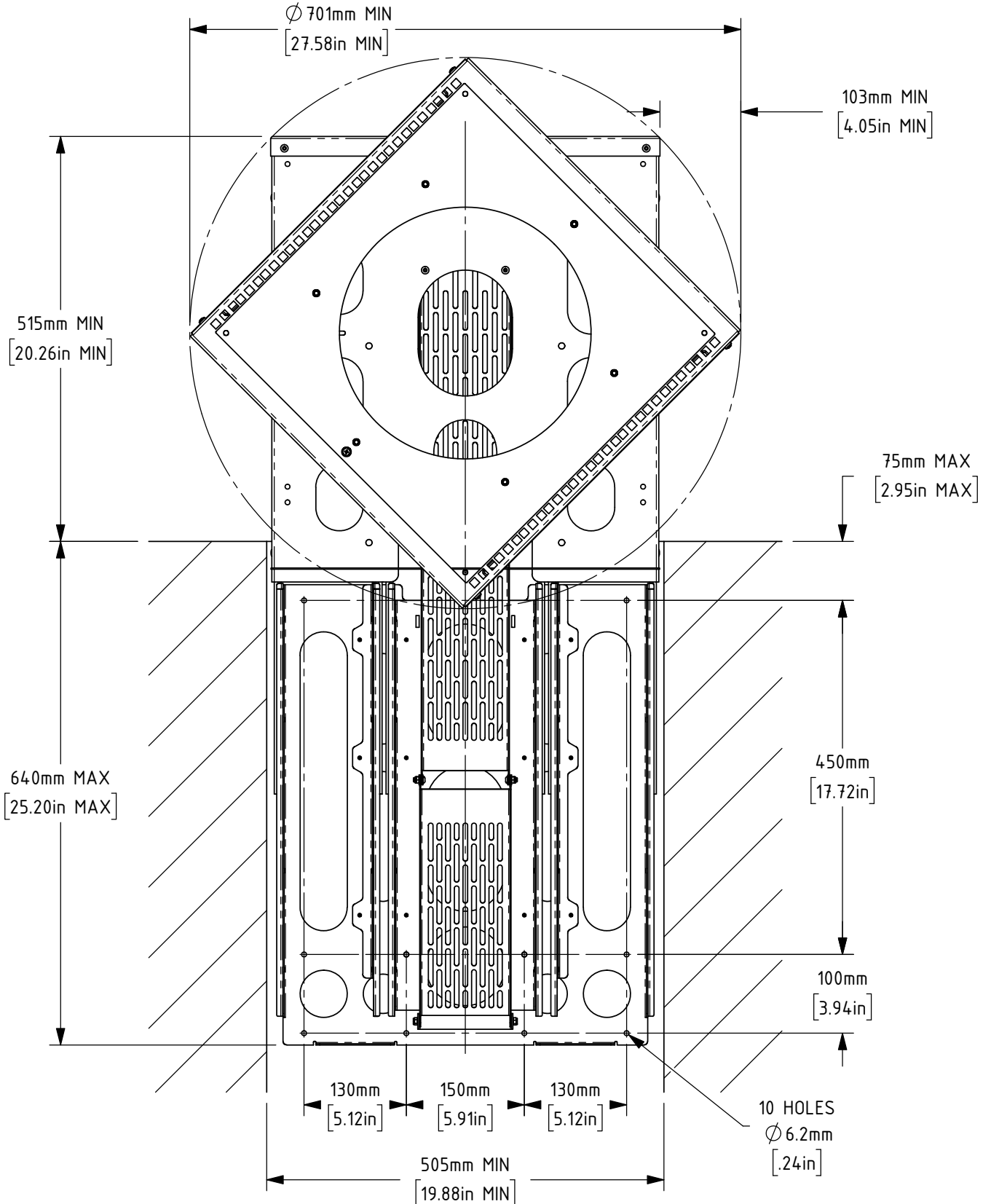
5. Optional: Install Cable Tray



6. Assemble Rack Frame with M5 Screws & Nuts

R8010

R8010 INSTALLATION



THIS DOCUMENT CONTAINS INFORMATION PROPRIETARY TO PENN ELCOM LTD. AND SHALL NOT BE REPRODUCED NOR TRANSFERRED TO OTHER DOCUMENTS NOR DISCLOSED TO A THIRD PARTY OR USED FOR ANY PURPOSE OTHER THAN FOR WHICH IT IS FURNISHED WITHOUT THE WRITTEN PERMISSION OF PENN ELCOM LTD. PENN ELCOM LTD. ACCEPTS NO RESPONSIBILITY OR LIABILITY FOR THE CORRECTNESS, ACCURACY AND COMPLETENESS OF THIS ILLUSTRATION.

Web: www.penn-elcom.com E-Mail: info@penn-elcom.com

R8010-INSTRUCT