



# R8010

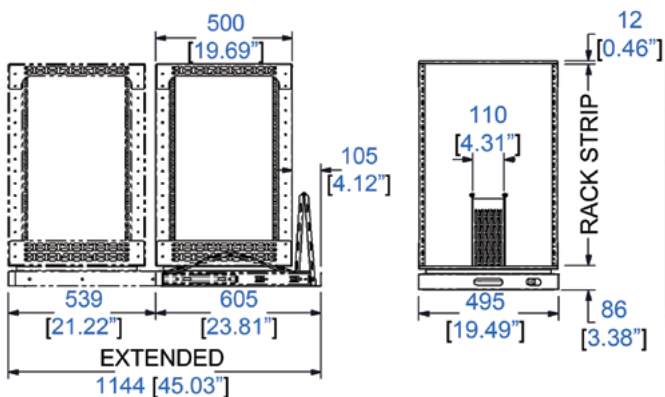
## SLIDE & ROTATE RACK

### UPGRADED DESIGN

**Our innovative new design provides total 360° rack access - even in tight spaces.**

The R8010 19" Slide & Rotate Rack with folding cable management bar is designed for complete and immediate accessibility to rack mount equipment and cables. It can be freely spun without cable entanglement and locked in position whenever needed.

The Base Plate is designed to be bolted or screwed to a solid, flat surface and ensures maximum stability while the enclosure frame is reinforced to prevent stress under a heavy load. The R8010 comes complete with a Top Unit, a Rotating Base Unit and a Folding Cable Management Bar.



- Slides out to 550mm / 22"
- Rotates 360° in either direction
- Secure in position with Slide Catch and Spin Catch
- Rotation lock in ±60° Increments
- Removable Rear Folding Cable Management Tray
- Top and Base Cable Management
- Catches are protected by removable Security Faceplate
- Choose a rail height, from 2U up to 25U
- Full hole double rack rails with square holes for Clip Nuts
- Quick assembly: under 30 minutes
- Maximum load capacity: 60kg / 130lb

