

**Applicable Model**

E12

**Drawing Title**

Intercom Panel

**Drawing Unit**

mm

**Drawing Scale**

Not to scale

**DRAFT  
SUBJECT TO  
CHANGE**

**Last Revised**

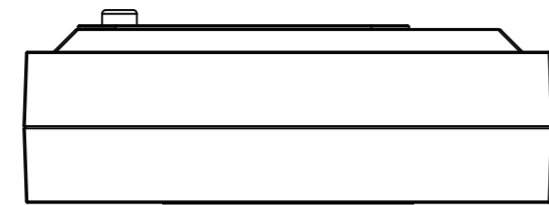
Mar 30,2021

**Drawing Version**

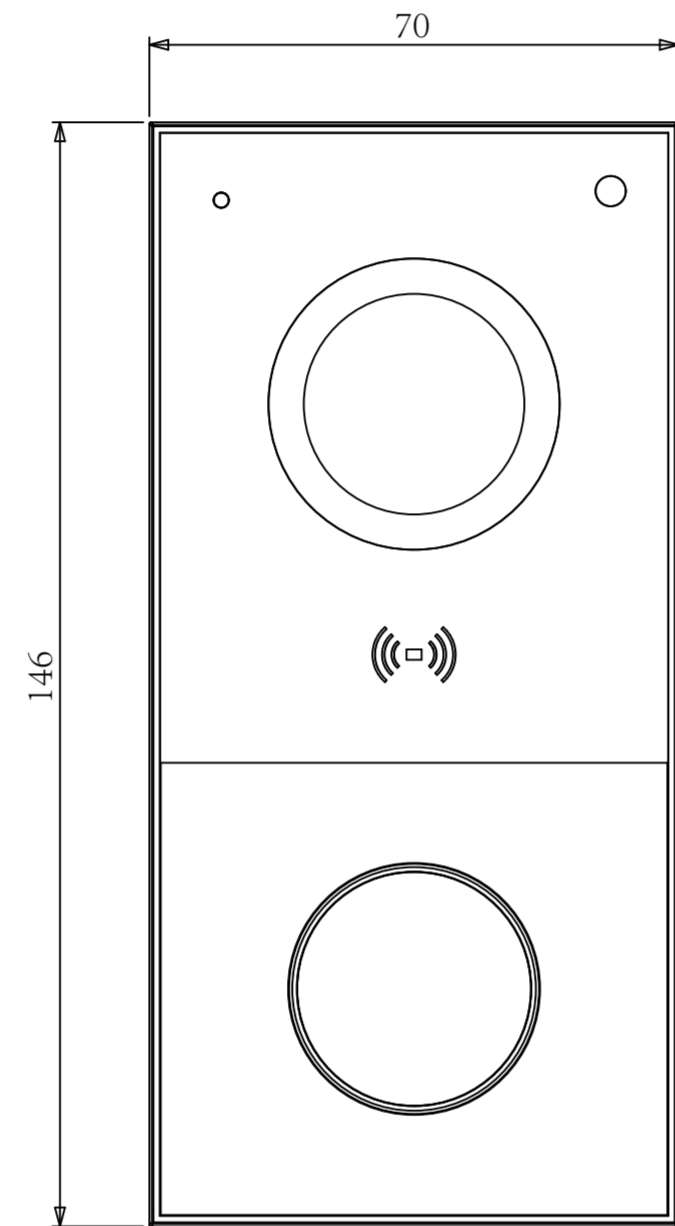
V1.0

**Page**

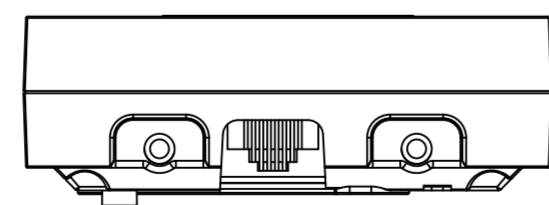
1 of 3



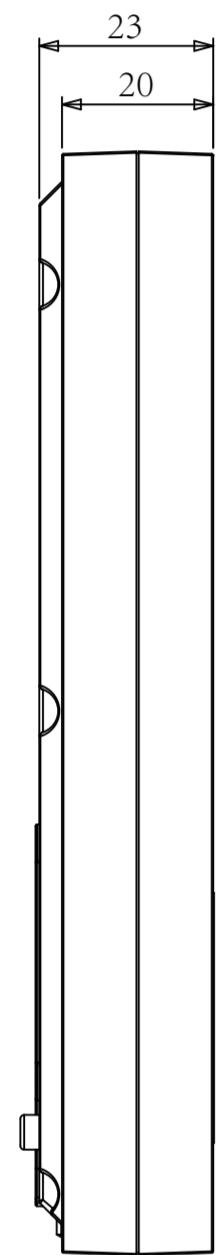
5 TOP VIEW



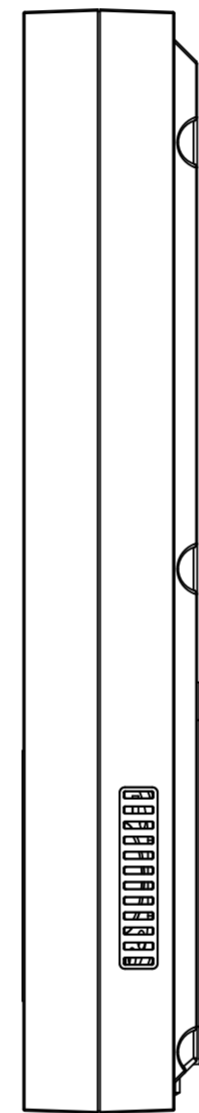
1 FRONT VIEW



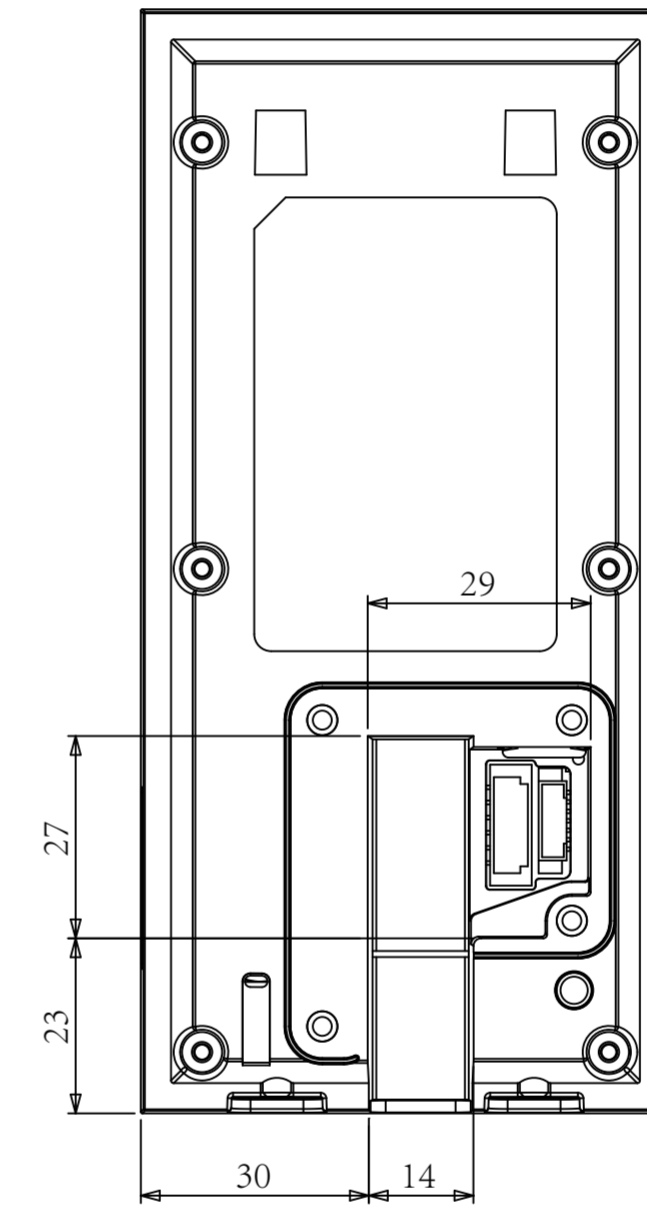
6 BOTTOM VIEW



2 RIGHT VIEW



3 LEFT VIEW



4 BACK VIEW

**Applicable Model**

E12

**Drawing Title**

Wall Mounting Bracket

**Drawing Unit**

mm

**Drawing Scale**

Not to scale

**DRAFT  
SUBJECT TO  
CHANGE**

**Last Revised**

Mar 30,2021

**Drawing Version**

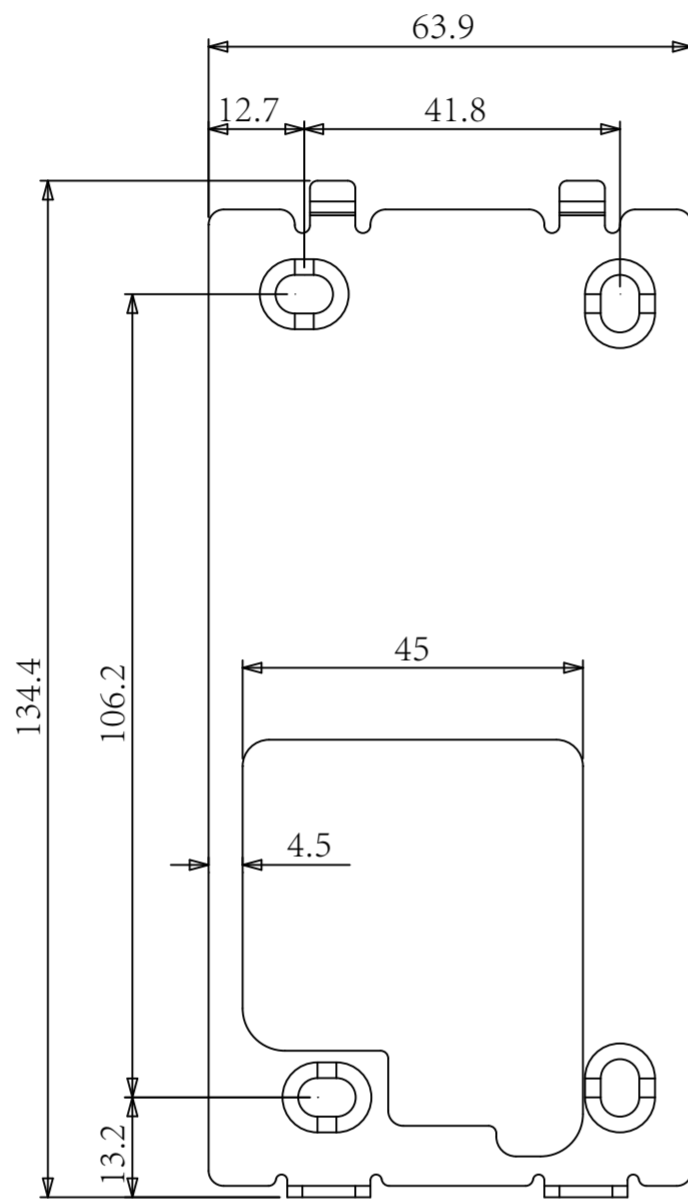
V1.0

**Page**

2 of 3



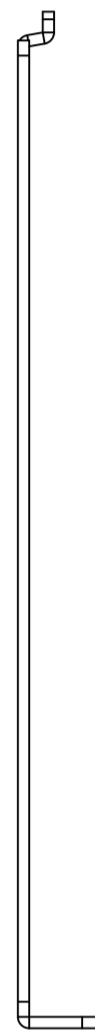
5 **TOP VIEW**



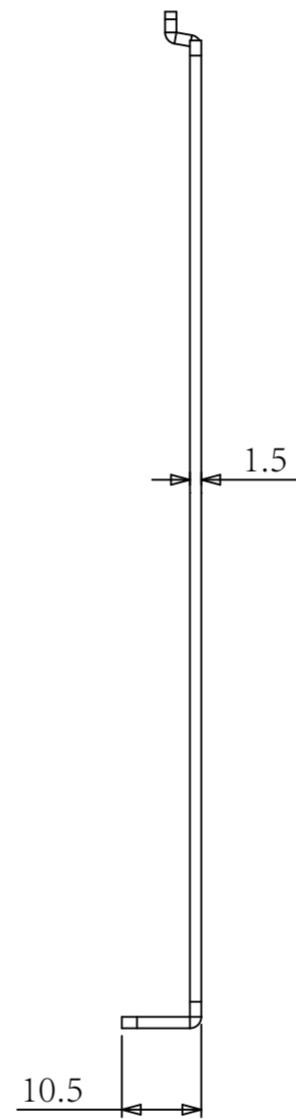
1 **FRONT VIEW**



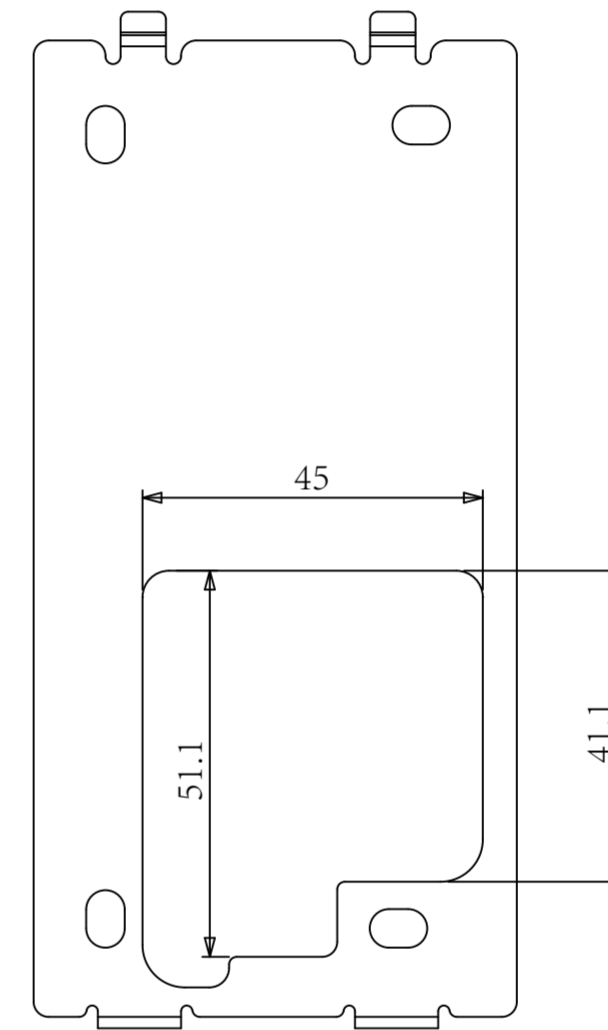
6 **BOTTOM VIEW**



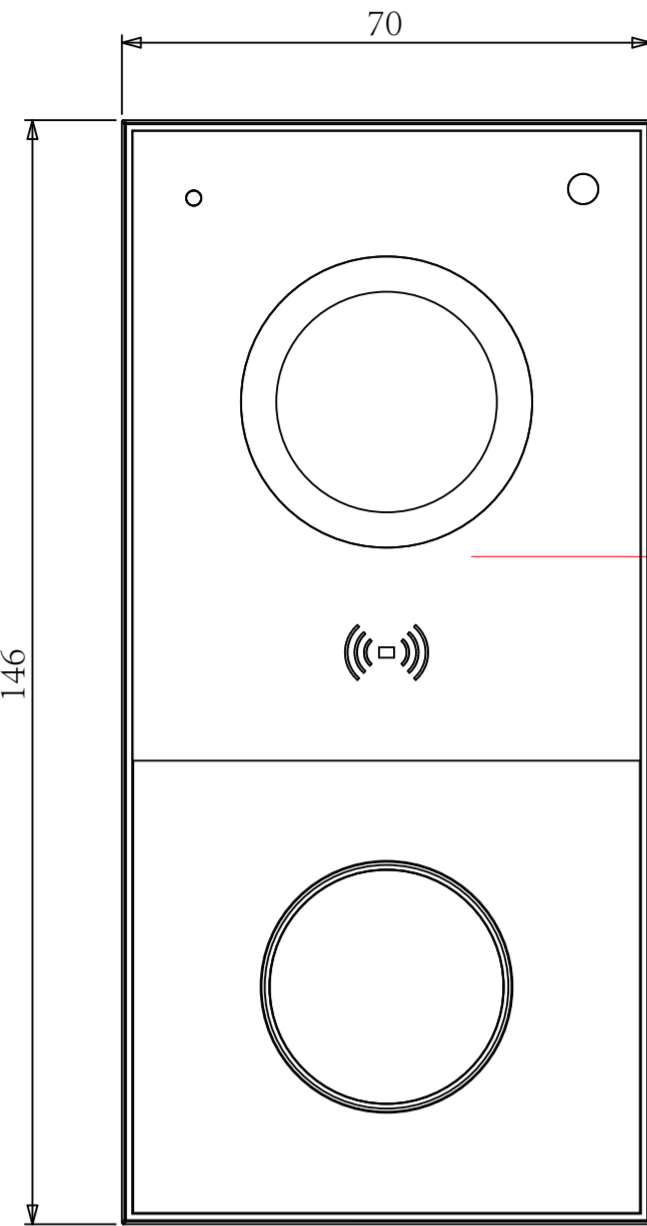
2 **RIGHT VIEW**



3 **LEFT VIEW**



4 **BACK VIEW**



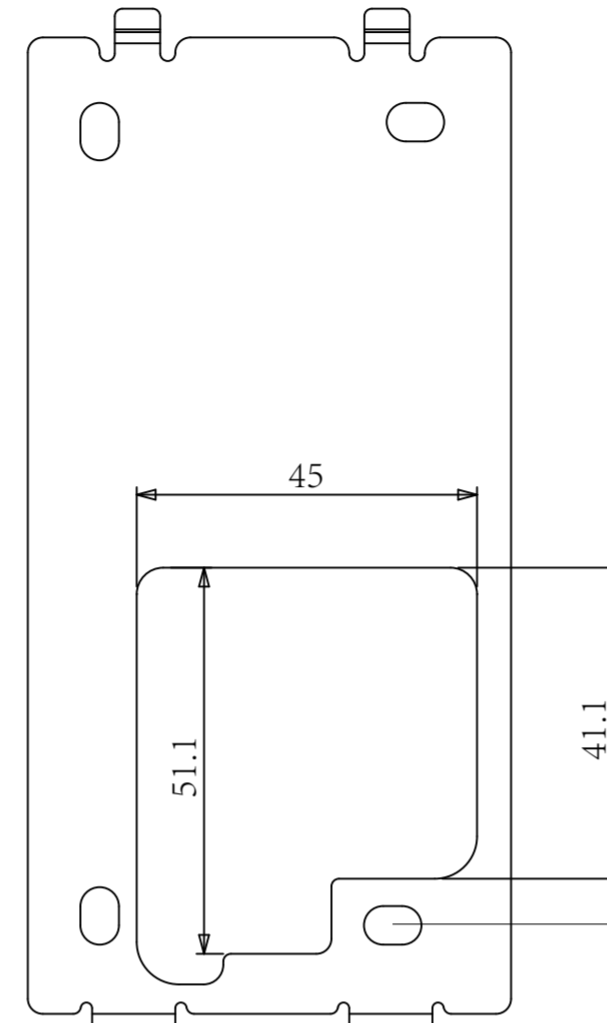
1 INTERCOM PANEL FRONT VIEW

1132mm TO BOTTOM OF PANEL

1220mm MAX TO TOP OF USABLE PARTS

**ADA Compliance Requirement**

GROUND

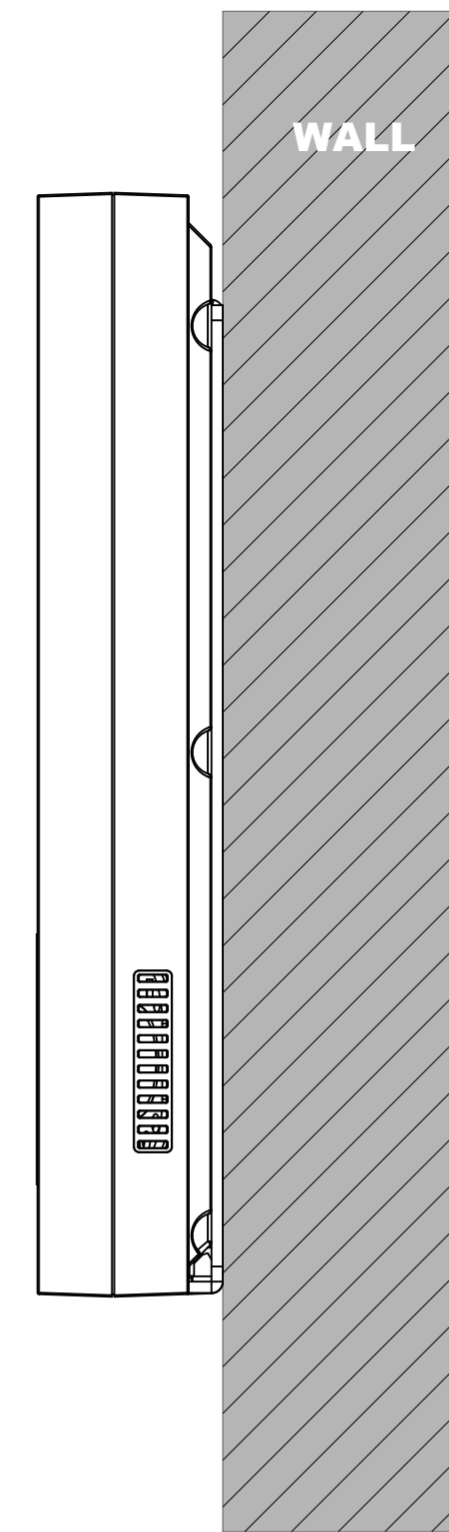


2 FRONT VIEW:WALL MOUNTING BRACKET PLACEMENT

1132mm TO BOTTOM OF BRACKET

1147mm TO SCREW HOLE CENTER OF BRACKET

GROUND



3 SIDE VIEW:INTERCOM PANEL ON WALL

**Applicable Model**

E12

**Drawing Title**

Placement

**Drawing Unit**

mm

**Drawing Scale**

Not to scale

**DRAFT  
SUBJECT TO  
CHANGE**

**Last Revised**

Mar 30,2021

**Drawing Version**

V1.0

**Page**

3 of 3