

Applicable Model

X933

Drawing Title

Indoor Monitor Panel

Drawing Unit

mm

Drawing Scale

Not to scale

**DRAFT
CHANGE TO
SUBJECT**

Last Revised

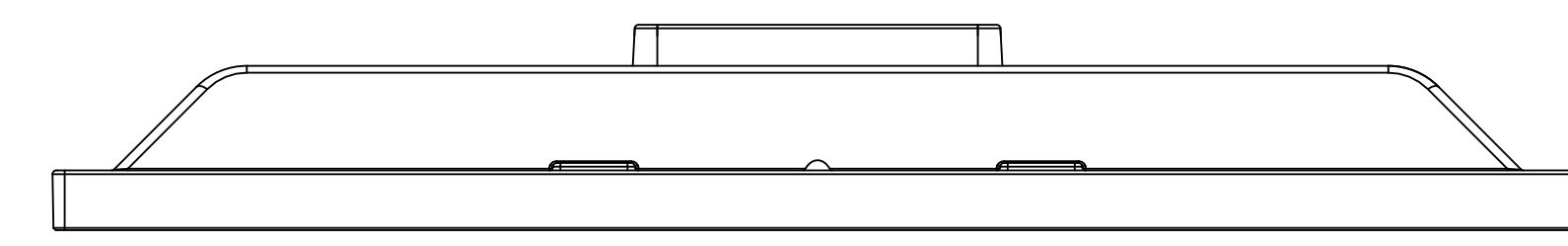
Apr 22,2022

Drawing Version

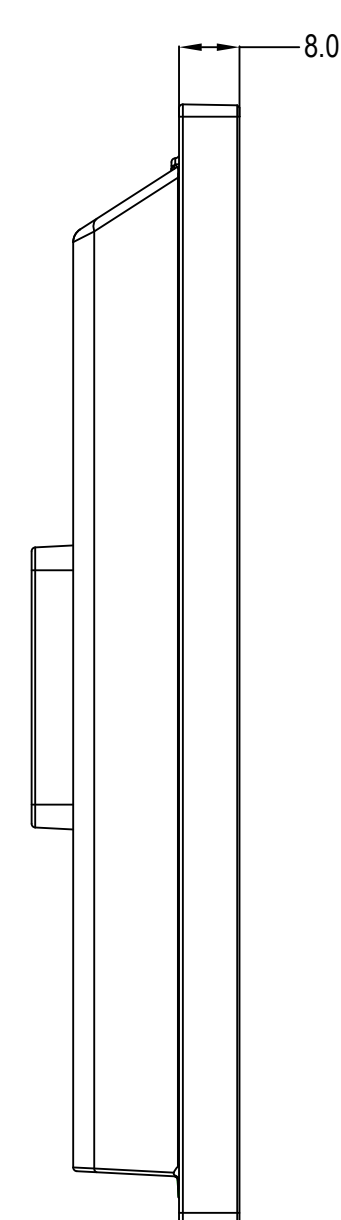
V1.0

Page

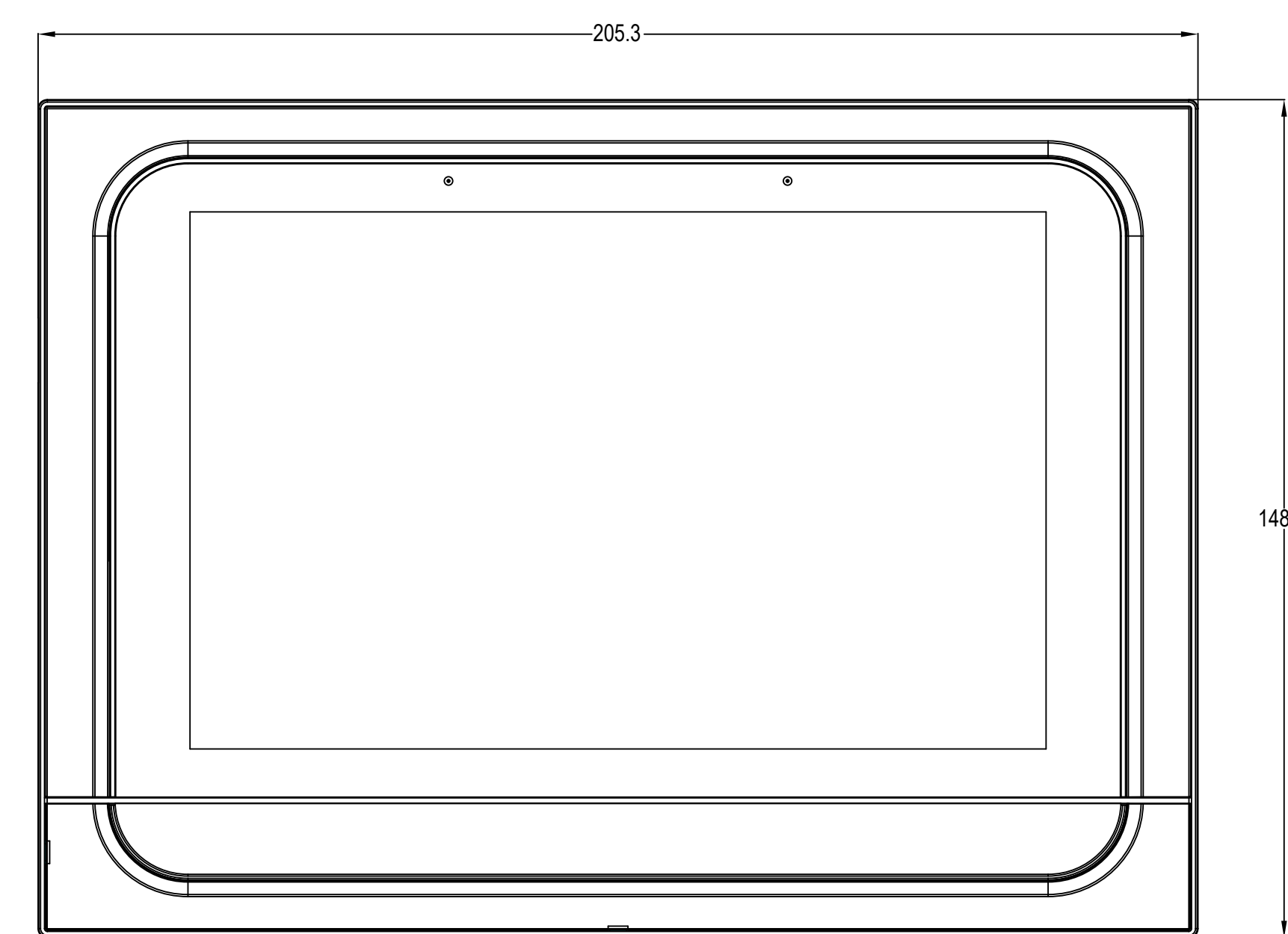
1 of 3



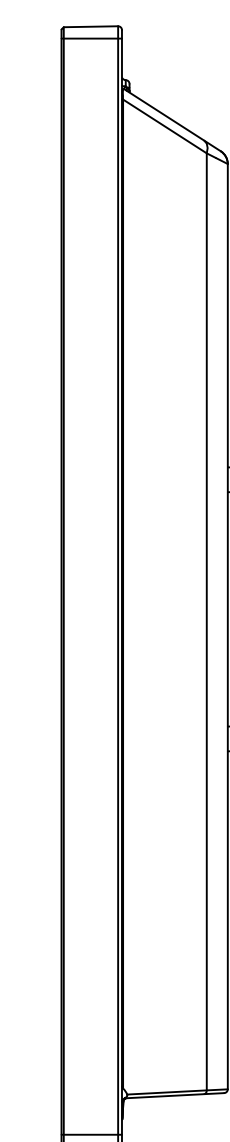
⑤ **TOP VIEW**



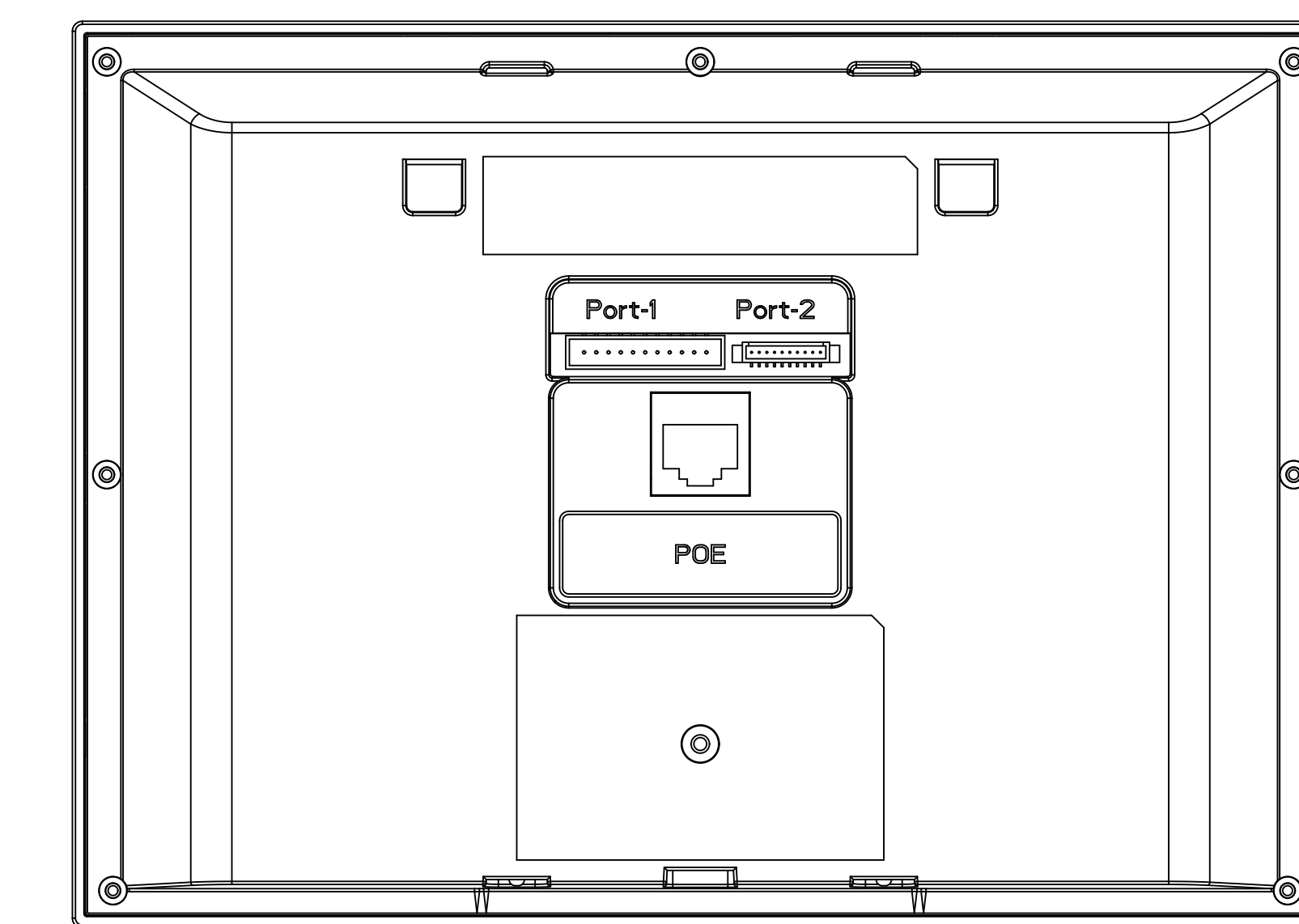
② **RIGHT VIEW**



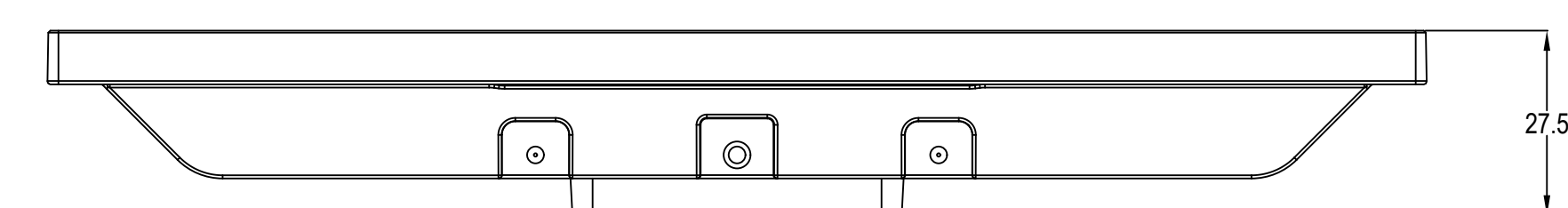
① **FRONT VIEW**



③ **LEFT VIEW**



④ **BACK VIEW**



⑥ **BOTTOM VIEW**

Applicable Model

X933

Drawing Title

Wall Mounting Bracket

Drawing Unit

mm

Drawing Scale

Not to scale

**DRAFT
SUBJECT
CHANGE**

Last Revised

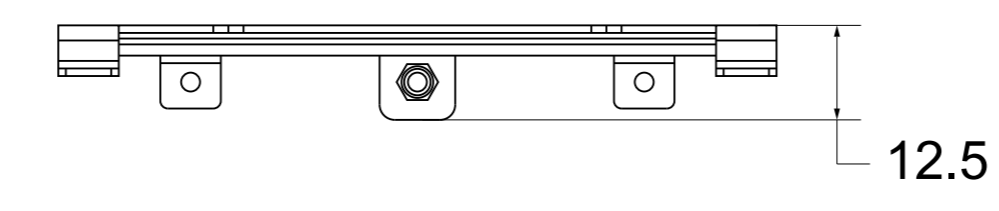
Apr 22, 2022

Drawing Version

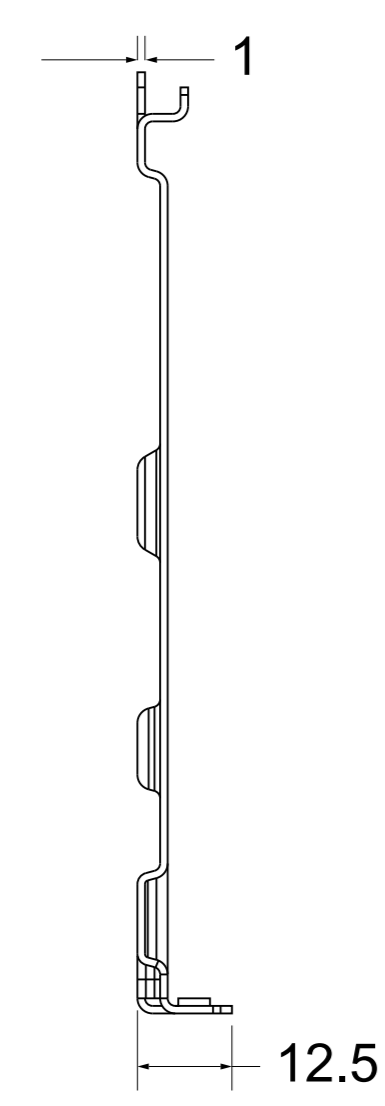
V1.0

Page

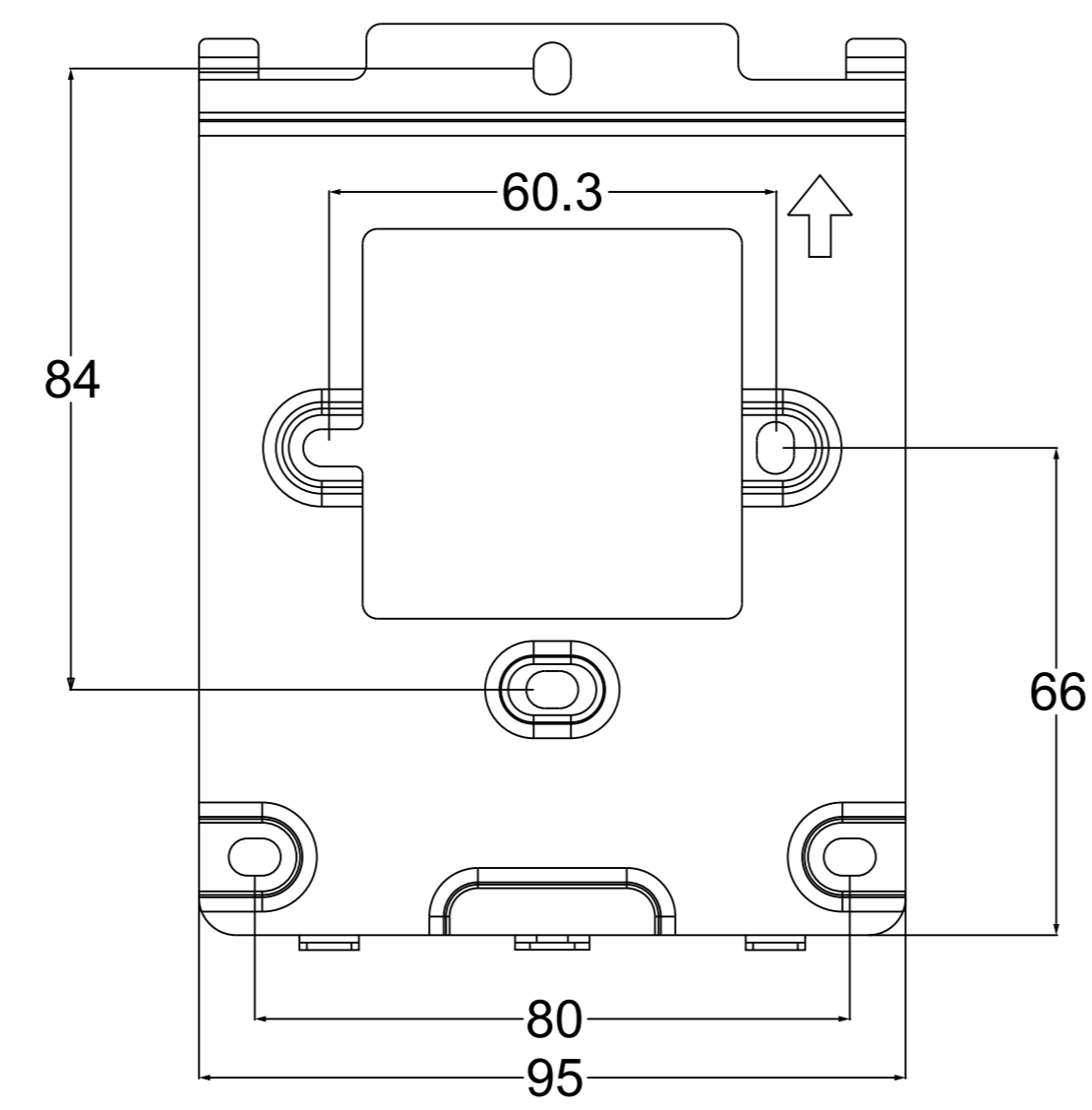
2 of 3



5 TOP VIEW



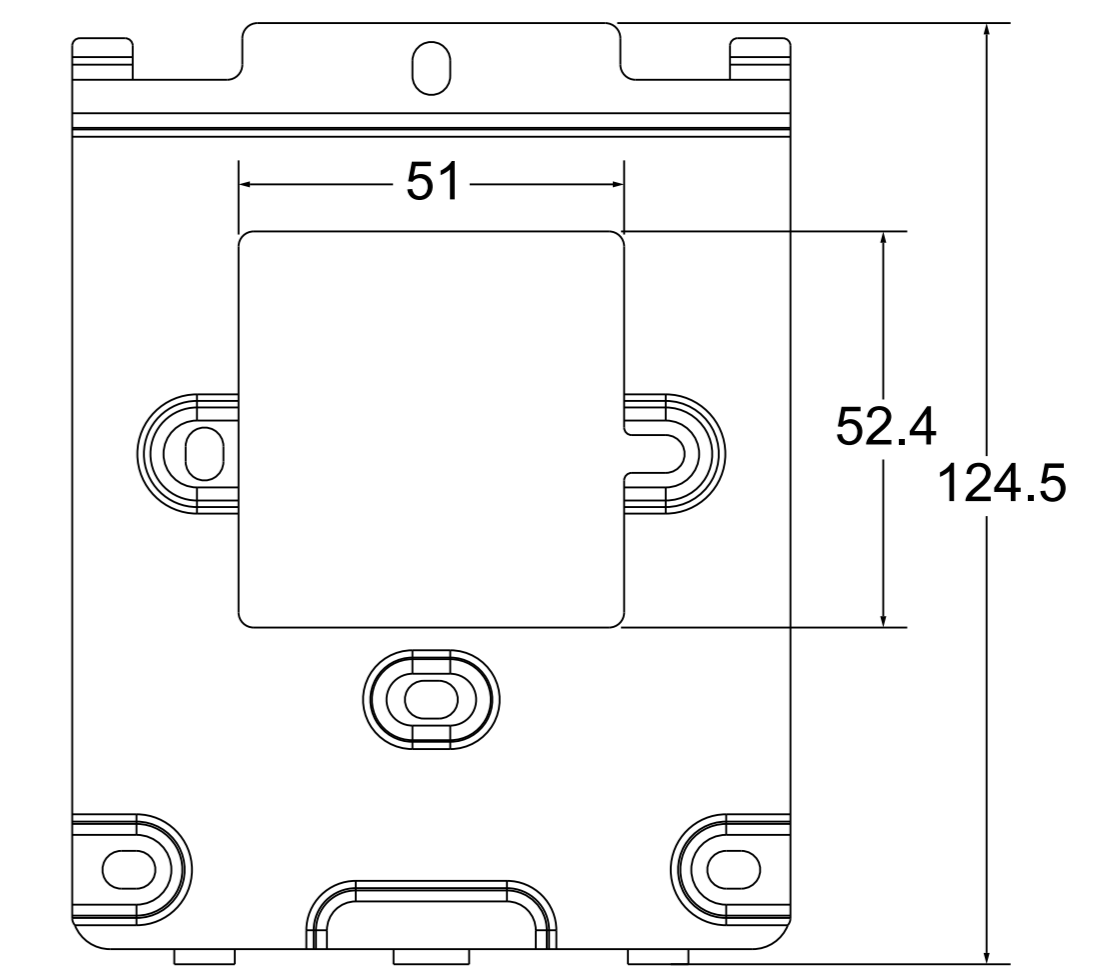
2 RIGHT VIEW



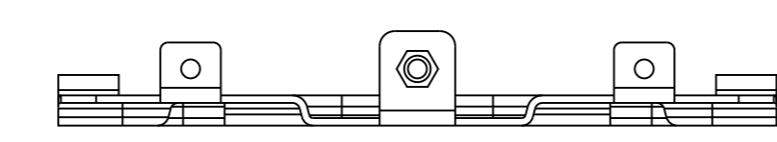
1 FRONT VIEW



3 LEFT VIEW



4 BACK VIEW



6 BOTTOM VIEW

Applicable Model

X933

Drawing Title

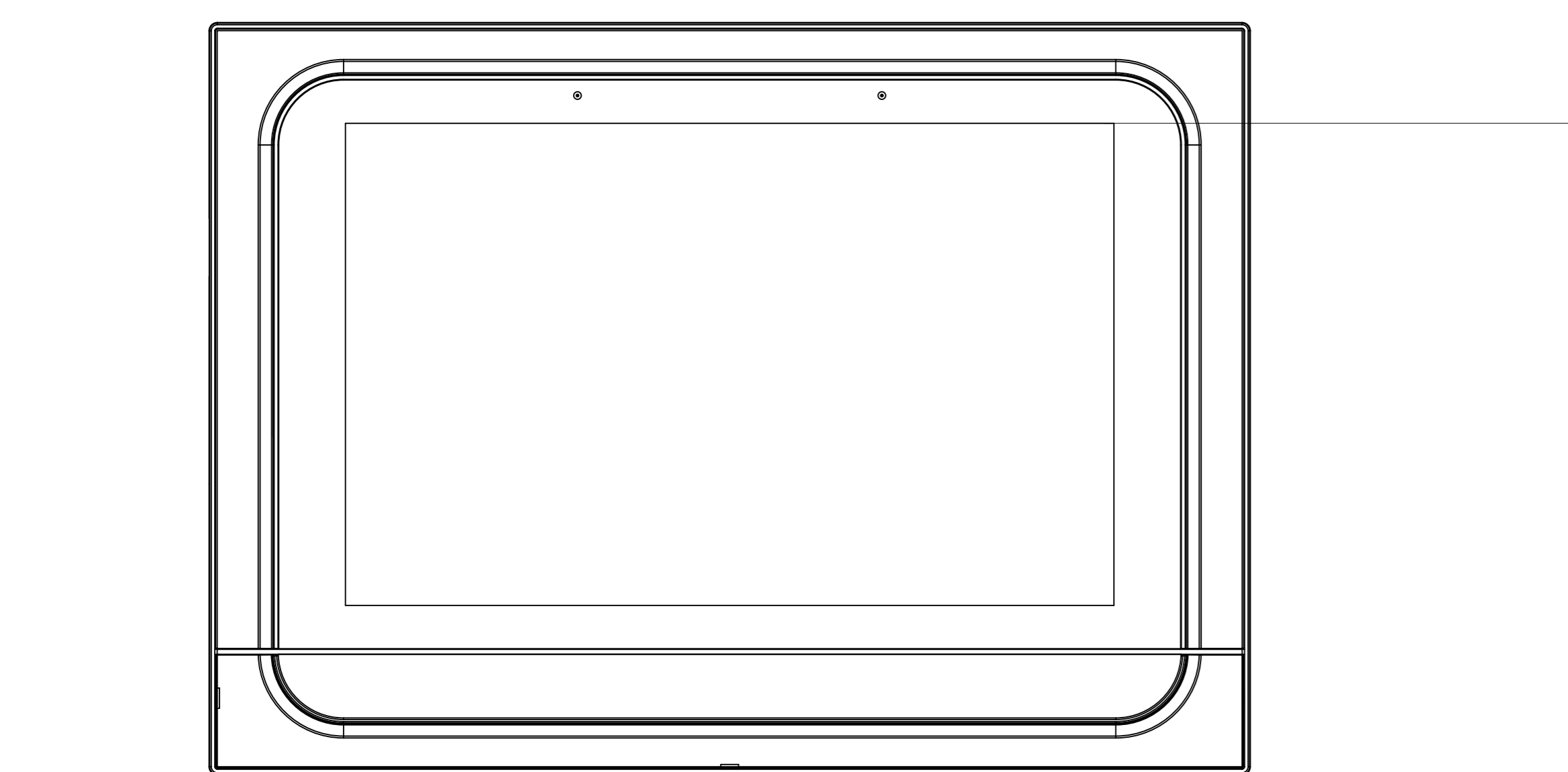
Placement

Drawing Unit

mm

Drawing Scale

Not to scale



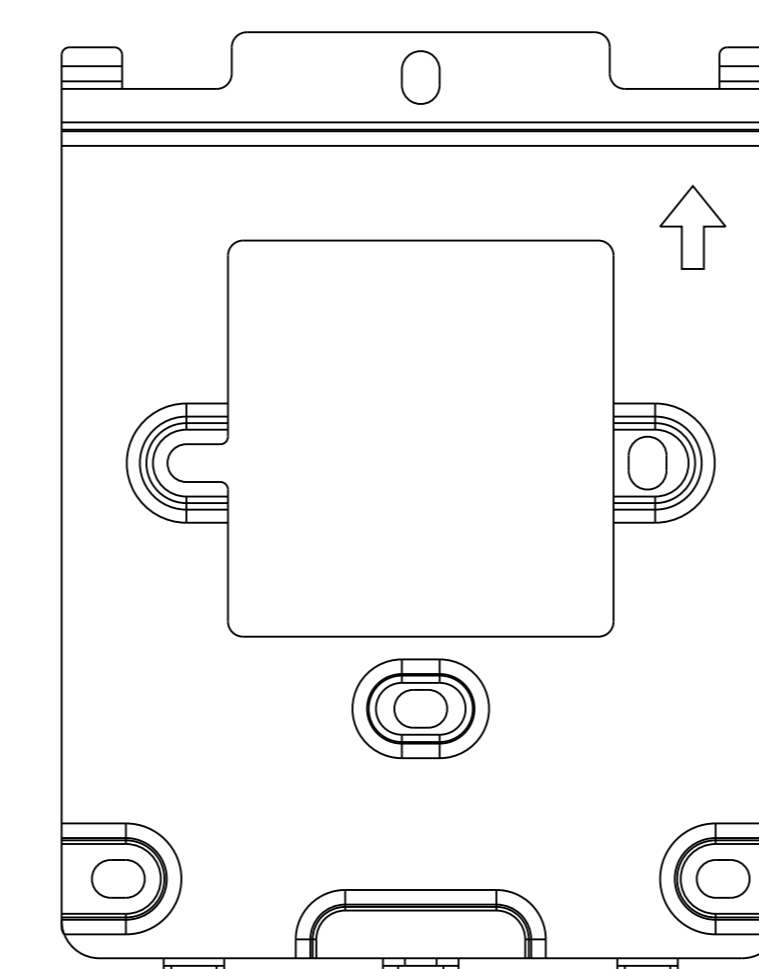
① INDOOR MONITOR PANEL FRONT VIEW

1400mm TO BOTTOM OF PANEL

1566.26mm MAX TO TOP OF USUABLE TOUCHSCREEN

ADA Compliance Requirement

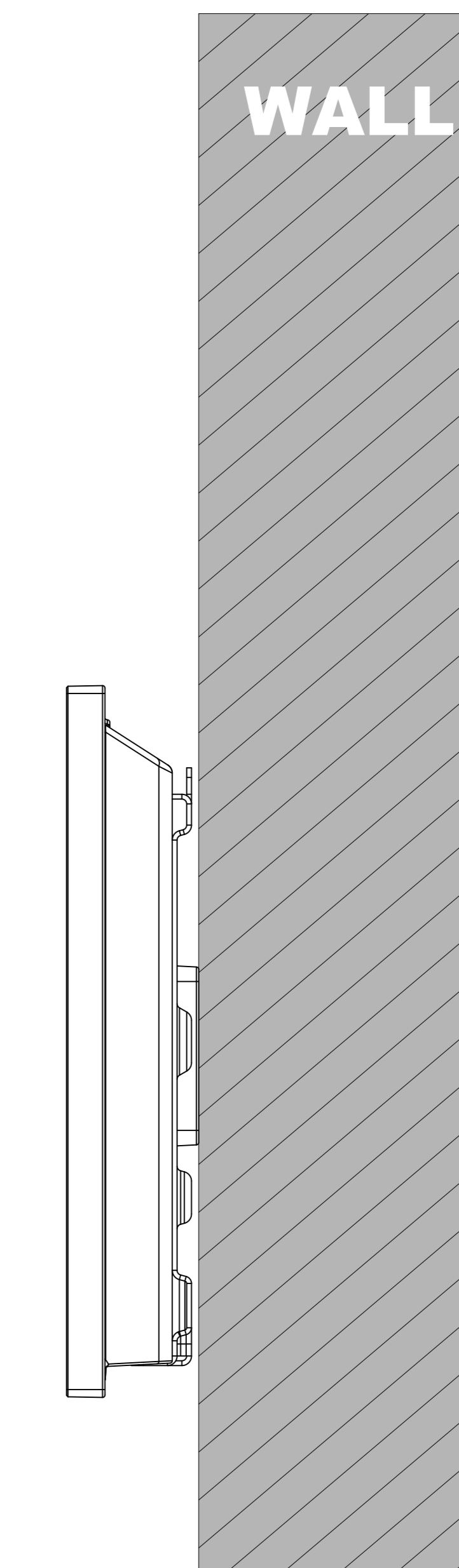
GROUND



② FRONT VIEW:WALL MOUNTING BRACKET PLACEMENT

1414.03mm TO BOTTOM OF BRACKET

GROUND



③ SIDE VIEW:INDOOR MONITOR ON WALL

**DRAFT
SUBJECT
CHANGE**

Last Revised

Apr 22,2022

Drawing Version

V1.0

Page

3 of 3