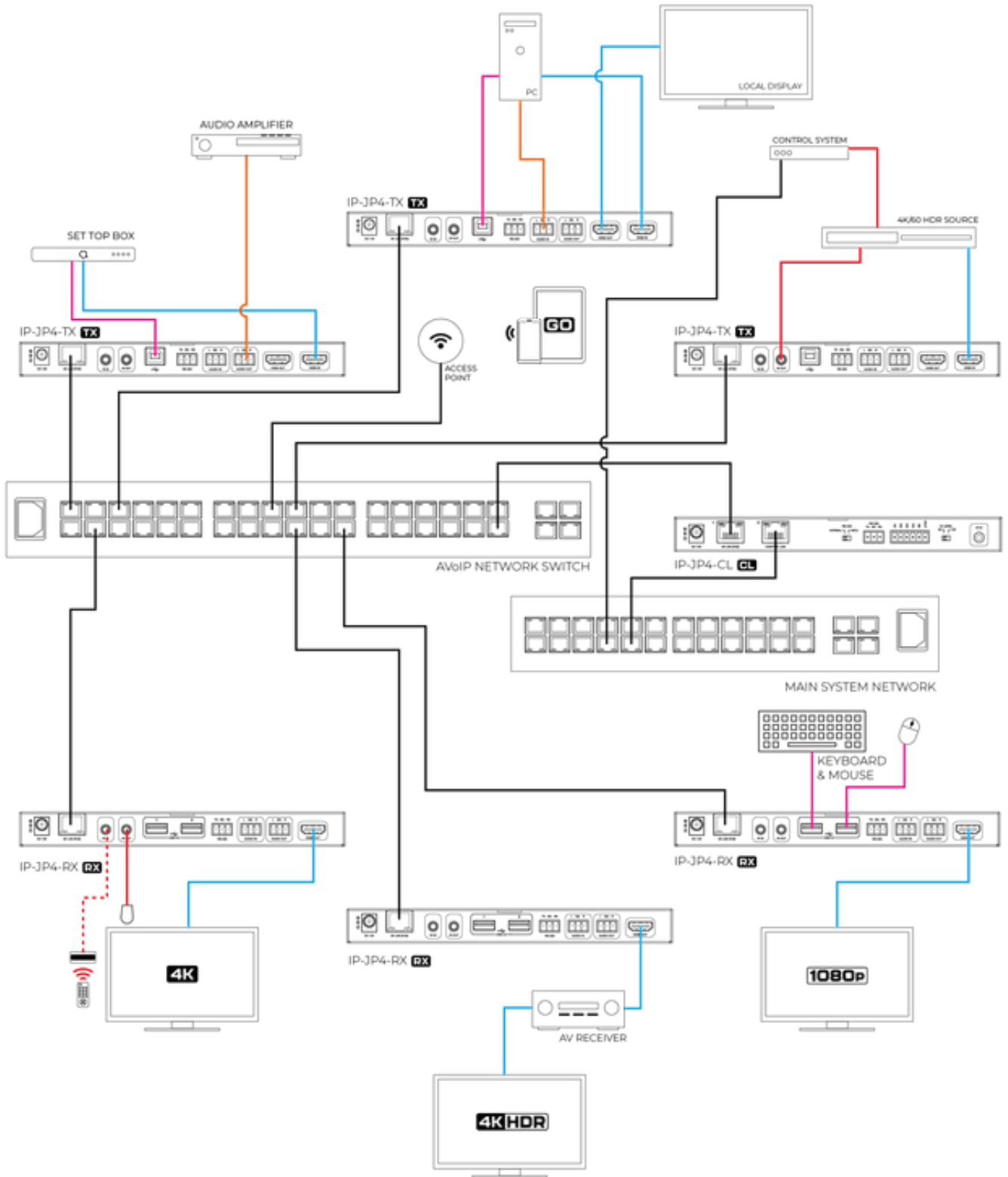


NET-IP-JP4-CL-10 Wiring Schematic



- IR (OUT)
- RS-232
- Cat5e/6/6a/7
- USB
- - - IR (IN)
- Audio
- HDMI
- Speaker