

NETVIO

SIMPLIFYING COMPLEXITY

MX-HT2-0404-10

Multi-functional Audio, Video, Data & AV Control Matrix



SafeGuard
5% 5-Yrs | 10% 10-Yrs



4K HDR

LATEST 4K MEDIA

4K/60 HDR using Cat5e/6 with 40m & 70m output support.

If bandwidth exceeds HDBaseT 10.2Gbps limits, then seamless light compression is added.

OP4

70M 4K ETHERNET

Output (4), with enhanced 4K/60 HDR 70m support with 100BaseT Ethernet. Extra gas in reserve, preparing for those installs that push the boundaries of audio, video and data.

ARC

CAPTURE & ROUTING

Audio return provides the best possible digital audio experience from popular embedded display applications.

Capture, route & connect to audio systems using analogue and digital outputs.

SCALING

AUTO 4K/1080P

Onboard scaling solves a re-occurring problem on how to seamlessly integrate the latest 4K/60 HDR displays with older legacy 1080p equipment.

HDMI LOOP-OUT

18Gb HDMIS

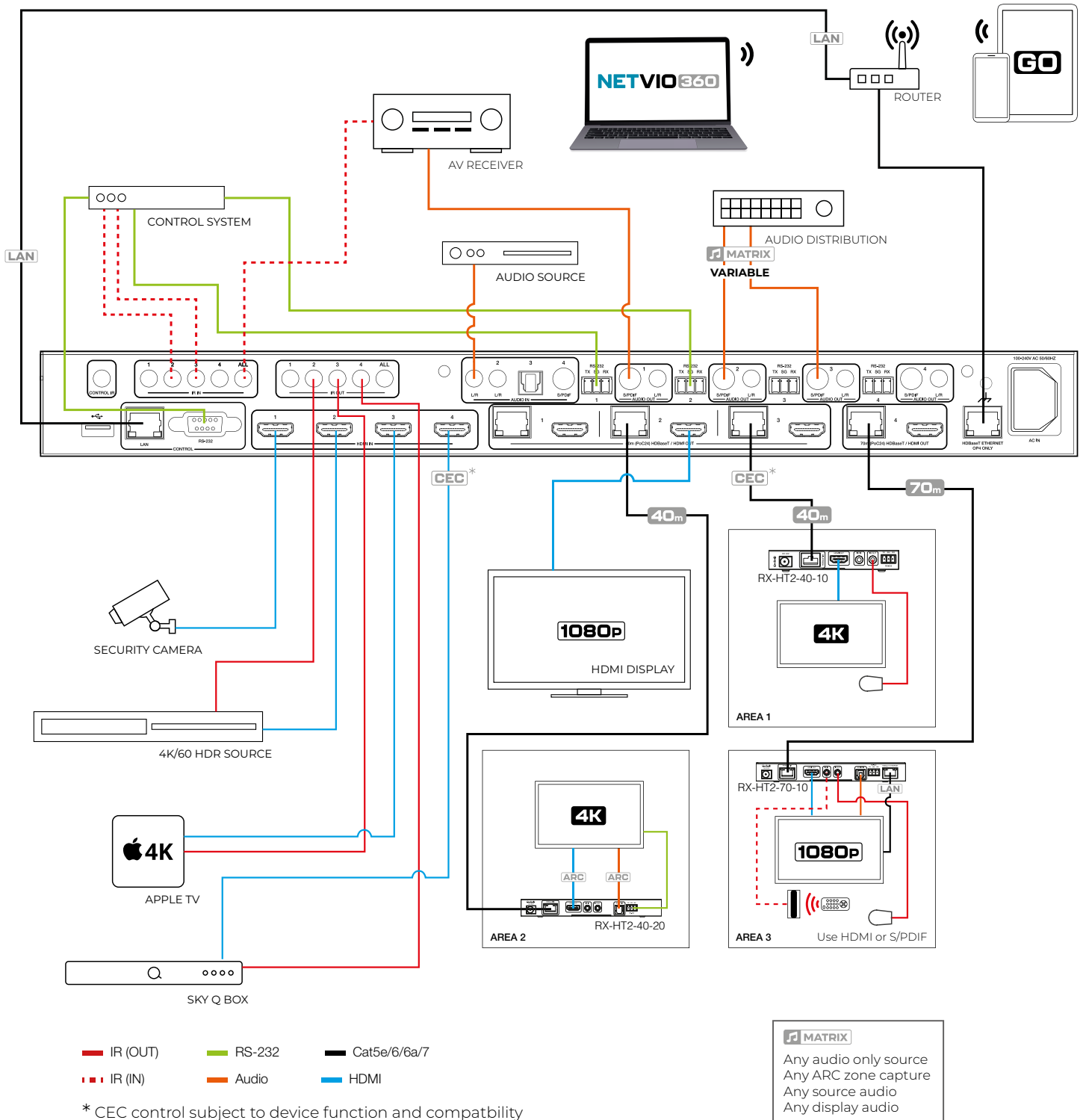
Four additional HDMI mirrored outputs provide additional flexibility to support expanded areas, AVRs or to connect to other Netvio devices.

MATRIX

16x8 ROUTING

Capable of capturing, embedding, extracting & switching audio from any media device, display, ARC zone or onboard dedicated 'audio only' inputs.

Basic Wiring Diagram



VIDEO**Encoding Data Rate**

HDMI: Max 17.82Gbs

HDBaseT: Max 10.2Gbs subject to variable stream compression and up-conversion.

Max Video Transmission

3840x2160 60fps 4:4:4 8b

HDBaseT

Outputs 1-3 | HDBaseT (10.2Gb) @ 40m 4K/60 HDR | 70m/1080p.

Output 4 | HDBaseT (10.2Gb) @ 70m 4K/60 HDR | 100m/1080p.

HDMI (Inputs/Outputs)

Supporting HDMI 2.0b resolutions including 3840x2160 60fps HDR.

Max Pixel Clock

600MHz / 600Mcs

HDR Compatibility

HDR10, HDR10+, Hybrid Log-Gamma, Dolby Vision

Scaler Function

4K to 1920x1080 progressive

Modes include, pass-through (no scaling), Fixed 4K → 2K, Automatic

HDCP

Inclusive up to 2.2

AUDIO**Audio Formats:**

LPCM 2ch, LPCM 5.1, LPCM 7.1, Dolby Digital, Dolby Digital Plus, Dolby TrueHD, DTS, DTS Master

Audio Outputs:4no. 2ch variable line level stereo analog audio Jack socket
4no. S/PDIF audio via female RCA socket, S/PDIF digital audio supporting uncompressed PCM and non-linear PCM-encoded bitstreams.**Audio Return Channel:**

ARC capture from compatible display, matrix & receiver (RX-HT2-40-20 | RX-HT2-70-10)

Audio Only Inputs:2no. 2ch Stereo analog line audio inputs via jack socket
1no. S/PDIF (supporting LPCM and proprietary bitstreams) audio via female RCA socket,
1no. S/PDIF (supporting LPCM and proprietary bitstreams) audio via female optical TosLink socket**16x8 Audio Matrix****Inputs:**HDMI Source de-embed 1-4
HDMI ARC Zone 1-4
HDBaseT ARC Zone 1-4
Audio In 1, 2, 3, 4**Outputs:**No.4 | Mirrored HDMI outputs
No. 4 | HDBaseT outputs
No. 4 | Stereo + S/PDIF**COMMUNICATION & CONTROL****HDMI:**

CEC, DDC

HDBaseT:

Supports CEC, DDC, Ethernet, RS-232 TXD, RXD and Infrared

RS-232:

Supports direct & routed RS-232 control, via a DB9 socket on the rear panel.

Zone RS-232 Serial interface (3-pin) via Phoenix-style, 3.5mm pitch male receptacle.

LAN:

1x IEEE 802.3u 100Base-TX Ethernet interface via "RJ45" socket.

Local discovery and API console via Netvio 360 & Netvio Go APP,

3rd-party integration via public API

Drivers & Control

Drivers available for control systems including C4, Crestron, RTi & Elan.

Discovery, configure, optimise, design via Netvio 360 utility.

Full spectrum AV control via FREE Netvio application for Apple & Android devices.

EDID

Automatic, Onboard pre-sets, Copy sync (RX)

ENVIRONMENTAL**Storage**

20°C / +60°C | 20% - 90% RH

Operating

0°C / +40°C | 20% - 90% RH

OTHER INFORMATION**Power Supply:**

Internal PSU. supporting worldwide AC voltages (e.g. 120V/60 USA, 230V/50 UK)

FREE Software & Control

Netvio 360 utility - discovery, configure, optimise, design, control

Netvio GO - Full spectrum AV control

Weights & Dimensions:

Rack Units: 2RU

Depth: 373mm

Height: 88mm

Weight: 6.9kg

Width: 440mm

In the Box:

Rack Ears

Remote Control

IR Accessories

Regionalised Power Lead

Phoenix Connectors

Regulations

Safety Approvals: CE, UKCA, FCC, RoSH

Warranty

2-Year standard warranty

3-Year standard warranty (*subject to online registration*)

5-Year SafeGuard | 5% product value

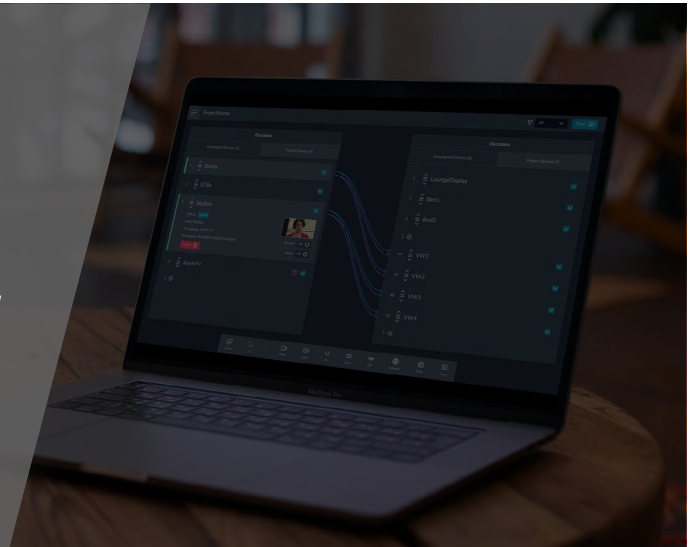
10-Year SafeGuard | 10% product value

NETVIO 360

DISCOVER, CONFIGURE, OPTIMISE, DESIGN & CONTROL

Netvio 360, a free utility for PC and Mac provides a unified and guided workflow approach to discover, configure, optimise, design and control HDBaseT, 1Gb and 10Gb AVoIP solutions.

Use the design canvas tool to drag 'n' drop system components, draw control paths before launching Netvio GO! with a QR code.



NETVIO GO

GET, SET, GO!

Free-on-board! Netvio GO provides a high-quality end-user control experience for HDBaseT, 1Gb & 10Gb AVoIP solutions.

A full spectrum AV control platform using Apple & Android devices, Netvio GO seamlessly manages signal distribution, media sources, displays & audio devices via IR, RS-232, CEC & IP without dedicated control hardware.

Set-up & control established takes minutes using Netvio 360.



Compatible Receivers *(Sold separately)*



RX-HT2-40-10

40m 4K/60 HDR
RS-232
Bi-Directional IR
Power over Cable (PoC)



RX-HT2-40-20

40m 4K/60 HDR
ARC (HDMI or S/PDIF)
RS-232, Bi-Directional IR
Power over Cable (PoC)



RX-HT2-70-10

70m 4K/60 HDR
Ethernet LAN
ARC Capture (HDMI or S/PDIF)
RS-232, Bi-Directional IR
Power over Cable (PoC)